



**BERGRIVIER MUNICIPALITY**

**TENDER NO: 8/3/25-2022 (MN186/2022)**

**SUPPLY, DELIVER, INSTALL AND COMMISSIONING OF VARIABLE SPEED DRIVES AT PUMP STATION IN PORTERVILLE**

**PROCUREMENT DOCUMENT**

<b>NAME OF TENDERER:</b>			
<b>Total Bid Price (Inclusive of VAT)</b> <i>(Refer to page 59):</i>			
<b>COMPLETION PERIOD IN WORKING DAYS:</b>	..... Days		
<b>B-BBEE LEVEL</b>			
<b>MUNICIPAL AREA:</b>			
<b>PLEASE REFER TO PAGE 63 AND TICK AS APPROPRIATE: SMME</b>	<b>MICRO</b>	<b>SMALL</b>	<b>MEDIUM</b>

**SEPTEMBER 2022**

**PREPARED AND ISSUED BY:**

Directorate: Finance:  
Supply Chain Management Unit  
Bergrivier Municipality,  
PO Box 60 Piketberg 7320  
Tel no.: (022) 913 6000

**CONTACT FOR ENQUIRIES  
REGARDING SPECIFICATIONS:**

**Mr. Rassie Bothma**  
**Head: Civil - Porterville**

Tel (W): 022 931 2100  
Email: [bothmar2@bergmun.org.za](mailto:bothmar2@bergmun.org.za)



## BERGRIVIER MUNICIPALITY

### **TENDER 8/3/25-2022 / MN186/2022: SUPPLY, DELIVER, INSTALL AND COMMISSIONING OF VARIABLE SPEED DRIVES AT PUMP STATION IN PORTERVILLE**

**TENDERS** are hereby requested from competent and experienced contractors for the supply, delivery and commissioning of variable speed drives at the Pump Station in Porterville, as set out in the specifications. Bidders must have a **CIDB-grading of 1EB or higher and should provide valid proof thereof.**

Bids, in sealed envelopes, clearly marked "**Tender No 8/3/25-2022 / MN186/2022: Supply, delivery and commissioning of variable speed drives in Porterville**", must be placed in the tender box at the Municipal Offices, 13 Kerk Street, Piketberg no later than **12:00 on Friday, 23 September 2022,** when the bids will be opened in public.

Documents and specifications that contain the minimum requirements are available on Berggrivier Municipality's website (**www.bergmun.org.za**) free of charge or on request at a **non-refundable fee of R70.00** from Ms. Revedy Hendricks at tel. no. (022) 913 6036 or **hendricksr@bergmun.org.za** during office hours. All technical enquiries can be addressed to Mr. Rassie Bothma at tel. no. (022) 931 2100 or e-mail: **bothmar2@bergmun.org.za.**

Tenders must be valid and binding for one hundred and twenty (**120**) days after closing date.

**A compulsory site meeting will be held on Tuesday, 13 September 2022, at 10H00, at the Municipal Offices in Porterville and from there to Pump Station Site in Monte Bertha.**

**This invitation supports the national government's local manufacturing initiatives. Only locally produced goods, with a set minimum threshold for local production and content, will be considered. The Bid documentation submitted MUST be subject to local content as set out in the specifications (Electrical cable products (Household wiring) – 90%; Steel products – 100%).**

Bids will be evaluated using the Council's Supply Chain Management Policy. It is therefore compulsory that the Preference Point Claim form for the Preferential Procurement Regulations is completed in full to make application for preference points. **The Bid price must be VAT inclusive.**

Bidders must be registered as a prospective supplier on National Treasury's Central Supplier Database (CSD). The Tax Clearance Certificate/ Tax Compliance Status (TCS) Pin/ Centralised Suppliers Database (CSD) Registration Number must be submitted together with the bid. Failure to submit a Tax Clearance Certificate/TCS Pin/CSD registration number may result in the invalidation of the bid.

Only bids completed in **black** ink on the original Bid documentation will be accepted. Late, incomplete or Bids submitted by facsimile or email will not be accepted. Proof of submitting a Bid will not be accepted as proof of the Bid having been received. The Municipality is not obliged to accept the lowest or any Bid submitted to it. The Municipality reserves the right to accept any Bid in full or in part. If prices offered are cost effective Council reserves the right to procure more items to take financial advantage thereof.

**MUNICIPAL OFFICES  
13 CHURCH STREET  
PIKETBERG  
7320**

**ADV. HANLIE LINDE  
MUNICIPAL MANAGER**

**MN186/2022**

**02 September 2022**



## BERGRIVIER MUNICIPALITY

TENDER NUMBER:	<b>TENDER 8/3/25-2022 MN186/2022</b>				
TENDER TITLE:	<b>SUPPLY, DELIVER, INSTALL AND COMMISSIONING OF VARIABLE SPEED DRIVES AT PUMP STATION IN PORTERVILLE</b>				
CLOSING DATE:	<b>23 SEPTEMBER 2022</b>	CLOSING TIME:	<b>12H00</b>		
SITE MEETING:	DATE: <b>13 SEPT 2022</b>	TIME:	<b>10H00</b>	COMPULSORY:	<b>YES</b>
SITE MEETING ADDRESS:	<b>MUNICIPAL OFFICES IN PORTERVILLE, MARK STREET</b>				
<i>NB: Please note that no latecomers will be allowed.</i>					
<i>For all compulsory briefing sessions/site meetings/clarification meetings, bids received from interested bidders that did not attend the meeting or arrived later than predetermined date and time, will be <b>disqualified</b></i>					
CIDB GRADING REQUIRED:	<b>YES</b>	LEVEL AND CATEGORY:	<b>1EB</b>		
BID BOX:	SITUATED AT: BERGRIVIER Municipal Building, 13 Church Street, BERGRIVIER. The bid box is generally open 24 hours a day, 7 days a week.				
OFFER TO BE VALID FOR:	<b>120 DAYS</b>	DAYS FROM THE CLOSING DATE OF BID.			

### TENDERER DETAILS (Please indicate postal address for all correspondence relevant to this specific tender)

NAME OF TENDERER:			
NAME OF CONTACT PERSON:	CELL PHONE NO:		
PHYSICAL ADDRESS:		POSTAL ADDRESS:	
TELEPHONE #:		FAX NO.	
E-MAIL ADDRESS:			

**DATE:**

**SIGNATURE OF TENDERER:**

**CAPACITY UNDER WHICH THIS BID IS SIGNED:**

#### PLEASE NOTE:

1. Tenders that are deposited in the incorrect box will not be considered.
2. Mailed, telegraphic or faxed tenders will not be accepted.
3. If the bid is late, it will not be accepted for consideration.
4. Bids may only be submitted on the Bid Documentation provided by the Municipality.

ENQUIRIES MAY BE DIRECTED TO:	CONTACT PERSON	TEL. NUMBER	EMAIL ADDRESS
1. TECHNICAL ENQUIRIES	<b>Mr. Rassie Bothma</b>	<b>022 931 2100</b>	<b>bothmar2@bergmun.org.za</b>
2. ENQUIRIES REGARDING BID PROCEDURES & COMPLETION OF BID DOCUMENTS	<b>Mr. Israel Saunders</b>	<b>022 913 6000</b>	<b>saundersi@bergmun.org.za</b>



## BERGRIVIER MUNICIPALITY

### CONTENTS

	<u>PAGE NUMBER</u>
1. TENDER NOTICE & INVITATION TO TENDER .....	1-4
PART A – ADMINISTRATIVE REQUIREMENTS IN TERMS OF THE SUPPLY CHAIN MANAGEMENT POLICY .....	5
2. CHECKLIST .....	7
3. AUTHORITY TO SIGN A BID.....	7-9
4. CERTIFICATE OF AUTHORITY FOR JOINT VENTURES.....	9
5. GENERAL CONDITIONS OF TENDER .....	10-21
6. MBD 2 – TAX CLEARANCE CERTIFICATE REQUIREMENTS .....	21-23
7. MBD 4 – DECLARATION OF INTEREST .....	24-26
8. MBD6.1 – PREFERENCE POINTS CLAIM FORM IN TERMS OF THE PREFERENTIAL PROCUREMENT REGULATIONS 2011 – PURCHASES/SERVICES 80/20 .....	27-31
8. MBD6.2 – DECLARATION CERTIFICATE FOR LOCAL PRODUCTION AND CONTENT FOR DESIGNATED SECTORS.....	32-41
9. MBD 8 – DECLARATION OF BIDDER'S PAST SUPPLY CHAIN MANAGEMENT PRACTICES.....	42-43
10. MBD 9 – CERTIFICATE OF INDEPENDENT BID DETERMINATION .....	44-45
11. MBD 10 – CERTIFICATE FOR PAYMENT OF MUNICIPAL SERVICES.....	46
12. COMPENSATION FOR OCCUPATIONAL INJURIES AND DISEASES ACT, 1993 (ACT 130 OF 1993).....	47
13. FORM OF INDEMNITY .....	48
PART B – SPECIFICATIONS.....	49-52
14. SCHEDULE FOR PLANT AND EQUIPMENT.....	53
15. SCHEDULE FOR SUBCONTRACTORS.....	54
16. SCHEDULE FOR WORK EXPERIENCE.....	55-56
17. FORM OFFER .....	57-58
18. PRICING SCHEDULE .....	59
19. DECLARATION BY TENDERER.....	60



**BERGRIVIER MUNICIPALITY**

---

**PART A – ADMINISTRATIVE REQUIREMENTS IN  
TERMS OF THE SUPPLY CHAIN MANAGEMENT POLICY**



## BERGRIVIËR MUNICIPALITY

### 1. CHECKLIST

**PLEASE ENSURE THAT THE FOLLOWING FORMS HAVE BEEN DULY COMPLETED AND SIGNED AND THAT ALL DOCUMENTS AS REQUESTED, ARE ATTACHED TO THE TENDER DOCUMENT:**

<b>Authority to Sign a Bid</b> - Is the form duly completed and is a <b>certified copy</b> of the <b>resolution</b> attached?	Yes	No	
<b>Tax Clearance Certificate -VALID</b> Tax Clearance Certificate attached/ Tax compliance pin?	Yes	No	
<b>MBD 4</b> (Declaration of Interest) - Is the form duly completed and signed?	Yes	No	
<b>MBD 6.1</b> (Preference Points claim form for purchases/services) - Is the form duly completed and signed? Is a <b>CERTIFIED</b> copy of the <b>B-BBEE Certificate</b> or the <b>original B-BBEE Certificate</b> attached?	Yes	No	
<b>MBD 6.2</b> (Local Content) - Is the form duly completed and signed? Is a <b>copy of the exchange rates included as per date of advert</b> attached?	Yes	No	
<b>MBD 8</b> (Declaration of Past Supply Chain Practices) - Is the form duly completed and signed?	Yes	No	
<b>MBD 9</b> (Certificate of Independent Bid Determination) - Is the form duly completed and signed?	Yes	No	
<b>MBD 10</b> (Certificate of Payment of Municipal Accounts) - Is the form duly completed and signed? Are the <b>Identity numbers, residential addresses</b> and <b>municipal account numbers</b> of <b>ALL</b> members, partners, directors, etc. provided on the form as requested? Are copies of these municipal accounts attached?	Yes	No	
<b>OHSA</b> (Occupational Health and Safety) - Is the form duly completed and signed? Is a valid <b>Letter of Good Standing</b> from the Compensation Commissioner attached?	Yes	No	
<b>Form of Indemnity</b> - Is the form duly completed and signed?	Yes	No	
<b>Pricing Schedule</b> - Is the form duly completed and signed?	Yes	No	
<b>Form of Offer</b> - Is the form duly completed and signed?	Yes	No	
<b>Declaration by Tenderer</b> - Is the form duly completed and signed?	Yes	No	

*By submitting an offer as well as participating in SCM processes I hereby warrant that I provide my information voluntarily, for the purposes of participating in this procurement process, and that I understand that this information will be processed, stored and even shared with third parties, if and when required, including for adjudication, verification and auditing purposes, and hereby, with my signature provide my consent to that effect.*

SIGNATURE		NAME (PRINT)	
CAPACITY		DATE	
NAME OF FIRM			



**BERGRIVIER MUNICIPALITY**

**2. AUTHORITY TO SIGN A BID**

**1. SOLE PROPRIETOR (SINGLE OWNER BUSINESS) AND NATURAL PERSON**

1.1. I, \_\_\_\_\_, the undersigned, hereby confirm that I am the sole owner of the business trading as \_\_\_\_\_ OR

1.2. I, \_\_\_\_\_, the undersigned, hereby confirm that I am submitting this tender in my capacity as natural person.

SIGNATURE:		DATE:	
PRINT NAME:			
WITNESS 1:		WITNESS 2:	

**2. COMPANIES AND CLOSE CORPORATIONS**

2.1. If a Bidder is a **COMPANY**, a certified copy of the resolution by the board of directors, duly signed, authorising the person who signs this bid to do so, as well as to sign any contract resulting from this bid and any other documents and correspondence in connection with this bid and/or contract on behalf of the company **must be submitted with this bid**, that is, before the closing time and date of the bid

2.2. In the case of a **CLOSE CORPORATION (CC)** submitting a bid, a resolution by its members, authorizing a member or other official of the corporation to sign the documents on their behalf, **shall be included with the bid**.

**PARTICULARS OF RESOLUTION BY BOARD OF DIRECTORS OF THE COMPANY/MEMBERS OF THE CC**

Date Resolution was taken	
Resolution signed by (name and surname)	
Capacity	
Name and surname of delegated Authorized Signatory	
Capacity	
Specimen Signature	

Full name and surname of ALL Director(s) / Member (s)			
1.		2.	
3.		4.	
5.		6.	
7.		8.	
9.		10.	

Is a <b>CERTIFIED COPY</b> of the resolution attached?	<b>YES</b>		<b>NO</b>	
--	------------	--	-----------	--

SIGNED ON BEHALF OF COMPANY / CC:		DATE:	
PRINT NAME:			
WITNESS 1:		WITNESS 2:	



**BERGRIVIER MUNICIPALITY**

**3. PARTNERSHIP**

We, the undersigned partners in the business trading as \_\_\_\_\_ hereby authorize Mr/Ms \_\_\_\_\_ to sign this bid as well as any contract resulting from the bid and any other documents and correspondence in connection with this bid and /or contract for and on behalf of the abovementioned partnership.

The following particulars in respect of every partner must be furnished and signed by every partner:

Full name of partner		Signature	
SIGNED ON BEHALF OF PARTNERSHIP:		DATE:	
PRINT NAME:			
WITNESS 1:		WITNESS 2:	

**4. CONSORTIUM**

We, the undersigned consortium partners, hereby authorize \_\_\_\_\_ (Name of entity) to act as lead consortium partner and further authorize Mr./Ms. \_\_\_\_\_ To sign this offer as well as any contract resulting from this tender and any other documents and correspondence in connection with this tender and / or contract for and on behalf of the consortium.

The following particulars in respect of each consortium member must be provided and signed by each member:

Full Name of Consortium Member	Role of Consortium Member	% Participation	Signature
SIGNED ON BEHALF OF PARTNERSHIP:		DATE:	
PRINT NAME:			
WITNESS 1:		WITNESS 2:	





**BERGRIVIER MUNICIPALITY**

**3. CERTIFICATE OF AUTHORITY FOR JOINT VENTURES**

**This returnable schedule is to be completed by JOINT VENTURES**

We, the undersigned, are submitting this tender offer in joint venture and hereby authorize Mr./Ms. \_\_\_\_\_  
 \_\_\_\_\_  
 authorized signatory of the Company/Close Corporation/Partnership (name) \_\_\_\_\_  
 \_\_\_\_\_, acting in the capacity of lead partner, to  
 sign all documents in connection with the tender offer and any contract resulting from it on our behalf.

(i) Name of firm (Lead partner)			
Address			
		Tel. No.	
Signature		Designation	

(ii) Name of firm			
Address			
		Tel. No.	
Signature		Designation	

(iii) Name of firm			
Address:			
		Tel. No.	
Signature		Designation	

(iv) Name of firm			
Address			
		Tel. No.	
Signature		Designation	

**NOTE: A copy of the Joint Venture Agreement showing clearly the percentage contribution of each partner to the Joint Venture, shall be appended to this Schedule.**



## BERGRIVIER MUNICIPALITY

### 4. GENERAL CONDITIONS OF CONTRACT – GOVERNMENT PROCUREMENT

#### 1. DEFINITIONS

The following terms shall be interpreted as indicated:

- 1.1. "Closing time" means the date and hour specified in the bidding documents for the receipt of bids.
- 1.2. "Contract" means the written agreement entered into between the purchaser and the supplier, as recorded in the contract form signed by the parties, including all attachments and appendices thereto and all documents incorporated by reference therein.
- 1.3. "Contract price" means the price payable to the supplier under the contract for the full and proper performance of his contractual obligations.
- 1.4. "Corrupt practice" means the offering, giving, receiving, or soliciting of anything of value to influence the action of a public official in the procurement process or in contract execution.
- 1.5. "Countervailing duties" are imposed in cases where an enterprise abroad is subsidized by its government and encouraged to market its products internationally
- 1.6. "Country of origin" means the place where the goods were mined, grown or produced or from which the services are supplied. Goods are produced when, through manufacturing, processing or substantial and major assembly of components, a commercially recognized new product results that is substantially different in basic characteristics or in purpose or utility from its components.
- 1.7. "Day" means calendar day.
- 1.8. "Delivery" means delivery in compliance of the conditions of the contract or order.
- 1.9. "Delivery ex stock" means immediate delivery directly from stock actually on hand
- 1.10. "Delivery into consignees store or to his site" means delivered and unloaded in the specified store or depot or on the specified site in compliance with the conditions of the contract or order, the supplier bearing all risks and charges involved until the supplies are so delivered and a valid receipt is obtained.
- 1.11. "Dumping" occurs when a private enterprise abroad market its goods on own initiative in the RSA at lower prices than that of the country of origin and which have the potential to harm the local industries in the RSA.
- 1.12. "Force majeure" means an event beyond the control of the supplier and not involving the supplier's fault or negligence and not foreseeable.
- 1.13. Such events may include, but is not restricted to, acts of the purchaser in its sovereign capacity, wars or revolutions, fires, floods, epidemics, quarantine restrictions and freight embargoes.
- 1.14. "Fraudulent practice" means a misrepresentation of facts in order to influence a procurement process or the execution of a contract to the detriment of any bidder, and includes collusive practice among bidders (prior to or after bid submission) designed to establish bid prices at artificial non-competitive levels and to deprive the bidder of the benefits of free and open competition.
- 1.15. "GCC" means the General Conditions of Contract.
- 1.16. "Goods" means all of the equipment, machinery, and/or other materials that the supplier is required to supply to the purchaser under the contract.
- 1.17. "Imported content" means that portion of the bidding price represented by the cost of components, parts or materials which have been or are still to be imported (whether by the supplier or his subcontractors) and which costs are inclusive of the costs abroad, plus freight and other direct importation costs such as landing costs, dock dues, import duty, sales duty or other similar tax or duty at the South African place of entry as well as transportation and handling charges to the factory in the Republic where the supplies covered by the bid will be manufactured.



## BERGRIVIER MUNICIPALITY

- 1.18. "Local content" means that portion of the bidding price which is not included in the imported content provided that local manufacture does take place.
- 1.19. "Manufacture" means the production of products in a factory using labor materials, components and machinery and includes other related value-adding activities.
- 1.20. "Order" means an official written order issued for the supply of goods or works or the rendering of a service.
- 1.21. "Project site" where applicable, means the place indicated in bidding documents.
- 1.22. "Purchaser" means the organization purchasing the goods.
- 1.23. "Republic" means the Republic of South Africa.
- 1.24. "SCC" means the Special Conditions of Contract.
- 1.25. "Services" means those functional services ancillary to the supply of the goods, such as transportation and any other incidental services, such as installation, commissioning, provision of technical assistance, training, catering, gardening, security, maintenance and other such obligations of the supplier covered under the contract.
- 1.26. "Supplier" means the successful bidder who is awarded the contract to maintain and administer the required and specified service(s) to the State.
- 1.27. "Tort" means in breach of contract.
- 1.28. "Turnkey" means a procurement process where one service provider assumes total responsibility for all aspects of the project and delivers the full end product / service required by the contract.
- 1.29. "Written" or "in writing" means handwritten in ink or any form of electronic or mechanical writing.

### 2. Application

- 2.1. These general conditions are applicable to all bids, contracts and orders including bids for functional and professional services, sales, hiring, letting and the granting or acquiring of rights, but excluding immovable property, unless otherwise indicated in the bidding documents.
- 2.2. Where applicable, special conditions of contract are also laid down to cover specific supplies, services or works.
- 2.3. Where such special conditions of contract are in conflict with these general conditions, the special conditions shall apply.

### 3. General

- 3.1. Unless otherwise indicated in the bidding documents, the purchaser shall not be liable for any expense incurred in the preparation and submission of a bid. Where applicable a non-refundable fee for documents may be charged.
- 3.2. Invitations to bid are usually published in locally distributed news media and on the municipality / municipal entity website.

### 4. Standards

- 4.1. The goods supplied shall conform to the standards mentioned in the bidding documents and specifications.

### 5. Use of contract documents and information; inspection.

- 5.1. The supplier shall not, without the purchaser's prior written consent, disclose the contract, or any provision thereof, or any specification, plan, drawing, pattern, sample, or information furnished by or on behalf of the purchaser in connection therewith, to any person other than a person employed by the supplier in the performance of the contract. Disclosure to any such employed person shall be made in confidence and shall extend only as far as may be necessary for purposes of such performance.
- 5.2. The supplier shall not, without the purchaser's prior written consent, make use of any document or information mentioned in GCC clause 5.1 except for purposes of performing the contract.



## BERGRIVIER MUNICIPALITY

- 5.3. Any document, other than the contract itself mentioned in GCC clause 5.1 shall remain the property of the purchaser and shall be returned (all copies) to the purchaser on completion of the supplier's performance under the contract if so required by the purchaser.
- 5.4. The supplier shall permit the purchaser to inspect the supplier's records relating to the performance of the supplier and to have them audited by auditors appointed by the purchaser, if so required by the purchaser.

### 6. Patent rights

- 6.1. The supplier shall indemnify the purchaser against all third-party claims of infringement of patent, trademark, or industrial design rights arising from use of the goods or any part thereof by the purchaser.
- 6.2. When a supplier developed documentation / projects for the municipality / municipal entity, the intellectual, copy and patent rights or ownership of such documents or projects will vest in the municipality / municipal entity.

### 7. Performance security

- 7.1. Within thirty (30) days of receipt of the notification of contract award, the successful bidder shall furnish to the purchaser the performance security of the amount specified in SCC.
- 7.2. The proceeds of the performance security shall be payable to the purchaser as compensation for any loss resulting from the supplier's failure to complete his obligations under the contract.
- 7.3. The performance security shall be denominated in the currency of the contract or in a freely convertible currency acceptable to the purchaser and shall be in one of the following forms:
  - 7.3.1. bank guarantee or an irrevocable letter of credit issued by a reputable bank located in the purchaser's country or abroad, acceptable to the purchaser, in the form provided in the bidding documents or another form acceptable to the purchaser; or
  - 7.3.2. a cashier's or certified cheque.
- 7.4. The performance security will be discharged by the purchaser and returned to the supplier not later than thirty (30) days following the date of completion of the supplier's performance obligations under the contract, including any warranty obligations, unless otherwise specified.

### 8. Inspections, tests and analyses

- 8.1. All pre-bidding testing will be for the account of the bidder.
- 8.2. If it is a bid condition that supplies to be produced or services to be rendered should at any stage during production or execution or on completion be subject to inspections tests and analysis, the bidder or contractor's premises shall be open, at all reasonable hours, for inspection by a representative of the purchaser or an organization acting on behalf of the purchaser.
- 8.3. If there are no inspection requirements indicated in the bidding documents and no mention is made in the contract, but during the contract period it is decided that inspections shall be carried out, the purchaser shall itself make the necessary arrangements, including payment arrangements with the testing authority concerned.
- 8.4. If the inspections, tests and analyses referred to in clauses 8.2 and 8.3 show the goods to be in accordance with the contract requirements, the cost of the inspections, tests and analyses shall be defrayed by the purchaser.
- 8.5. Where the goods or services referred to in clauses 8.2 and 8.3 do not comply with the contract requirements, irrespective of whether such goods or services are accepted or not, the cost in connection with these inspections, tests or analyses shall be defrayed by the supplier.
- 8.6. Supplies and services which are referred to in clauses 8.2 and 8.3 and which do not comply with the contract requirements may be rejected.



## BERGRIVIER MUNICIPALITY

- 8.7. Any contract goods may on or after delivery be inspected, tested or analyzed and may be rejected if found not to comply with the requirements of the contract. Such rejected goods shall be held at the cost and risk of the supplier who shall, when called upon, remove them immediately at his own cost and forthwith substitute them with goods which do comply with the requirements of the contract. Failing such removal the rejected goods shall be returned at the suppliers cost and risk. Should the supplier fail to provide the substitute goods forthwith, the purchaser may, without giving the supplier further opportunity to substitute the rejected goods, purchase such goods as may be necessary at the expense of the supplier.
- 8.8. The provisions of clauses 8.4 to 8.7 shall not prejudice the right of the purchaser to cancel the contract on account of a breach of the conditions thereof, or to act in terms of Clause 22 of GCC.

### 9. Packing

- 9.1. The supplier shall provide such packing of the goods as is required to prevent their damage or deterioration during transit to their final destination, as indicated in the contract. The packing shall be sufficient to withstand, without limitation, rough handling during transit and exposure to extreme temperatures, salt and precipitation during transit, and open storage. Packing, case size and weights shall take into consideration, where appropriate, the remoteness of the goods' final destination and the absence of heavy handling facilities at all points in transit.
- 9.2. The packing, marking, and documentation within and outside the packages shall comply strictly with such special requirements as shall be expressly provided for in the contract, including additional requirements, and in any subsequent instructions ordered by the purchaser.

### 10. Delivery

Delivery of the goods shall be made by the supplier in accordance with the documents and terms specified in the contract. The details of shipping and/or other documents to be furnished by the supplier are specified.

### 11. Insurance

The goods supplied under the contract shall be fully insured in a freely convertible currency against loss or damage incidental to manufacture or acquisition, transportation, storage and delivery in the manner specified.

### 12. Transportation

Should a price other than an all-inclusive delivered price be required, this shall be specified.

### 13. Incidental

- 13.1. The supplier may be required to provide any or all of the following services, including additional services, if any:
- 13.1.1. performance or supervision of on-site assembly and/or commissioning of the supplied goods;
  - 13.1.2. furnishing of tools required for assembly and/or maintenance of the supplied goods;
  - 13.1.3. furnishing of a detailed operations and maintenance manual for each appropriate unit of the supplied goods;
  - 13.1.4. performance or supervision or maintenance and/or repair of the supplied goods, for a period of time agreed by the parties, provided that this service shall not relieve the supplier of any warranty obligations under this contract; and
  - 13.1.5. training of the purchaser's personnel, at the supplier's plant and/or on-site, in assembly, start-up, operation, maintenance, and/or repair of the supplied goods.
- 13.2. Prices charged by the supplier for incidental services, if not included in the contract price for the goods, shall be agreed upon in advance by the parties and shall not exceed the prevailing rates charged to other parties by the supplier for similar services.

### 14. Spare parts

- 14.1. As specified, the supplier may be required to provide any or all of the following materials, notifications, and information pertaining to spare parts manufactured or distributed by the supplier:



**BERGRIVIER MUNICIPALITY**

- 14.1.1. such spare parts as the purchaser may elect to purchase from the supplier, provided that this election shall not relieve the supplier of any warranty obligations under the contract; and;
- 14.1.2. in the event of termination of production of the spare parts:
  - 14.1.2.1. advance notification to the purchaser of the pending termination, in sufficient time to permit the purchaser to procure needed requirements; and
  - 14.1.2.2. following such termination, furnishing at no cost to the purchaser, the blueprints, drawings, and specifications of the spare parts, if requested.

**15. Warranty**

- 15.1. The supplier warrants that the goods supplied under the contract are new, unused, of the most recent or current models, and that they incorporate all recent improvements in design and materials unless provided otherwise in the contract. The supplier further warrants that all goods supplied under this contract shall have no defect, arising from design, materials, or workmanship (except when the design and/or material is required by the purchaser's specifications) or from any act or omission of the supplier, that may develop under normal use of the supplied goods in the conditions prevailing in the country of final destination.
- 15.2. This warranty shall remain valid for twelve (12) months after the goods, or any portion thereof as the case may be, have been delivered to and accepted at the final destination indicated in the contract, or for eighteen (18) months after the date of shipment from the port or place of loading in the source country, whichever period concludes earlier, unless specified otherwise in SCC.
- 15.3. The purchaser shall promptly notify the supplier in writing of any claims arising under this warranty.
- 15.4. Upon receipt of such notice, the supplier shall, within the period specified in SCC and with all reasonable speed, repair or replace the defective goods or parts thereof, without costs to the purchaser.
- 15.5. If the supplier, having been notified, fails to remedy the defect(s) within the period specified, the purchaser may proceed to take such remedial action as may be necessary, at the supplier's risk and expense and without prejudice to any other rights which the purchaser may have against the supplier under the contract.

**16. Payment**

- 16.1. The method and conditions of payment to be made to the supplier under this contract shall be specified.
- 16.2. The supplier shall furnish the purchaser with an invoice accompanied by a copy of the delivery note and upon fulfillment of other obligations stipulated in the contract.
- 16.3. Payments shall be made by the purchaser **no later than thirty (30) days** after submission of an **invoice, statement** or claim by the supplier.
- 16.4. Payment will be made in Rand unless otherwise stipulated.

**17. Prices**

Prices charged by the supplier for goods delivered and services performed under the contract shall not vary from the prices quoted by the supplier in his bid, with the exception of any price adjustments authorized or in the purchaser's request for bid validity extension, as the case may be.

**18. Variation orders**

In cases where the estimated value of the envisaged changes in purchase does not vary more than 15% of the total value of the original contract, the contractor may be instructed to deliver the goods or render the services as such. In cases of measurable quantities, the contractor may be approached to reduce the unit price and such offers, may be accepted provided that there is no escalation in price.

**19. Assignment**

The supplier shall not assign, in whole or in part, its obligations to perform under the contract, except with the purchaser's prior written consent.



**20. Subcontracts**

The supplier shall notify the purchaser in writing of all subcontracts awarded under this contract, if not already specified in the bid. Such notification, in the original bid or later, shall not relieve the supplier from any liability or obligation under the contract.

**21. Delays in the supplier's performance**

- 21.1. Delivery of the goods and performance of services shall be made by the supplier in accordance with the time schedule prescribed by the purchaser in the contract.
- 21.2. If at any time during performance of the contract, the supplier or its subcontractor(s) should encounter conditions impeding timely delivery of the goods and performance of services, the supplier shall promptly notify the purchaser in writing of the fact of the delay, its likely duration and its cause(s). As soon as practicable after receipt of the supplier's notice, the purchaser shall evaluate the situation and may at his discretion extend the supplier's time for performance, with or without the imposition of penalties, in which case the extension shall be ratified by the parties by amendment of contract.
- 21.3. The right is reserved to procure outside of the contract small quantities or to have minor essential services executed if an emergency arises, the supplier's point of supply is not situated at or near the place where the supplies are required, or the supplier's services are not readily available.
- 21.4. Except as provided under GCC Clause 25, a delay by the supplier in the performance of its delivery obligations shall render the supplier liable to the imposition of penalties, pursuant to GCC Clause 22, unless an extension of time is agreed upon pursuant to GCC Clause 22 without the application of penalties.
- 21.5. Upon any delay beyond the delivery period in the case of a supplies contract, the purchaser shall, without cancelling the contract, be entitled to purchase supplies of a similar quality and up to the same quantity in substitution of the goods not supplied in conformity with the contract and to return any goods delivered later at the supplier's expense and risk, or to cancel the contract and buy such goods as may be required to complete the contract and without prejudice to his other rights, be entitled to claim damages from the supplier.

**22. Penalties**

Subject to GCC Clause 25, if the supplier fails to deliver any or all of the goods or to perform the services within the period(s) specified in the contract, the purchaser shall, without prejudice to its other remedies under the contract, deduct from the contract price, as a penalty, a sum calculated on the delivered price of the delayed goods or unperformed services using the current prime interest rate calculated for each day of the delay until actual delivery or performance. The purchaser may also consider termination of the contract pursuant to GCC Clause 23.

**23. Termination for default**

- 23.1. The purchaser, without prejudice to any other remedy for breach of contract, by written notice of default sent to the supplier, may terminate this contract in whole or in part:
  - 23.1.1. if the supplier fails to deliver any or all of the goods within the period(s) specified in the contract, or within any extension thereof granted by the purchaser pursuant to GCC Clause 21.2;
  - 23.1.2. if the Supplier fails to perform any other obligation(s) under the contract; or
  - 23.1.3. if the supplier, in the judgment of the purchaser, has engaged in corrupt or fraudulent practices in competing for or in executing the contract.
- 23.2. In the event the purchaser terminates the contract in whole or in part, the purchaser may procure, upon such terms and in such manner as it deems appropriate, goods, works or services similar to those undelivered, and the supplier shall be liable to the purchaser for any excess costs for such similar goods, works or services. However, the supplier shall continue performance of the contract to the extent not terminated.
- 23.3. Where the purchaser terminates the contract in whole or in part, the purchaser may decide to impose a restriction penalty on the supplier by prohibiting such supplier from doing business with the public sector for a period not exceeding 10 years.



## BERGRIVIER MUNICIPALITY

- 23.4. If a purchaser intends imposing a restriction on a supplier or any person associated with the supplier, the supplier will be allowed a time period of not more than fourteen (14) days to provide reasons why the envisaged restriction should not be imposed. Should the supplier fail to respond within the stipulated fourteen (14) days the purchaser may regard the supplier as having no objection and proceed with the restriction.
- 23.5. Any restriction imposed on any person by the purchaser will, at the discretion of the purchaser, also be applicable to any other enterprise or any partner, manager, director or other person who wholly or partly exercises or exercised or may exercise control over the enterprise of the first-mentioned person, and with which enterprise or person the first-mentioned person, is or was in the opinion of the purchase actively associated.
- 23.6. If a restriction is imposed, the purchaser must, within five (5) working days of such imposition, furnish the National Treasury, with the following information:
- 23.6.1. the name and address of the supplier and / or person restricted by the purchaser;
- 23.6.2. the date of commencement of the restriction
- 23.6.3. the period of restriction; and
- 23.6.4. the reasons for the restriction.
- These details will be loaded in the National Treasury's central database of suppliers or persons prohibited from doing business with the public sector.
- 23.7. If a court of law convicts a person of an offence as contemplated in sections 12 or 13 of the Prevention and Combating of Corrupt Activities Act, No. 12 of 2004, the court may also rule that such person's name be endorsed on the Register for Tender Defaulters. When a person's name has been endorsed on the Register, the person will be prohibited from doing business with the public sector for a period not less than five years and not more than 10 years. The National Treasury is empowered to determine the period of restriction and each case will be dealt with on its own merits. According to section 32 of the Act the Register must be open to the public. The Register can be perused on the National Treasury website.

### 24. Anti-dumping and countervailing duties and rights

When, after the date of bid, provisional payments are required, or antidumping or countervailing duties are imposed, or the amount of a provisional payment or anti-dumping or countervailing right is increased in respect of any dumped or subsidized import, the State is not liable for any amount so required or imposed, or for the amount of any such increase. When, after the said date, such a provisional payment is no longer required or any such anti-dumping or countervailing right is abolished, or where the amount of such provisional payment or any such right is reduced, any such favorable difference shall on demand be paid forthwith by the contractor to the State or the State may deduct such amounts from moneys (if any) which may otherwise be due to the contractor in regard to supplies or services which he delivered or rendered, or is to deliver or render in terms of the contract or any other contract or any other amount which may be due to him.

### 25. Force Majeure

- 25.1. Notwithstanding the provisions of GCC Clauses 22 and 23, the supplier shall not be liable for forfeiture of its performance security, damages, or termination for default if and to the extent that his delay in performance or other failure to perform his obligations under the contract is the result of an event of force majeure.
- 25.2. If a force majeure situation arises, the supplier shall promptly notify the purchaser in writing of such condition and the cause thereof. Unless otherwise directed by the purchaser in writing, the supplier shall continue to perform its obligations under the contract as far as is reasonably practical, and shall seek all reasonable alternative means for performance not prevented by the force majeure event.

### 26. Termination for insolvency

The purchaser may at any time terminate the contract by giving written notice to the supplier if the supplier becomes bankrupt or otherwise insolvent. In this event, termination will be without compensation to the supplier, provided that such termination will not prejudice or affect any right of action or remedy which has accrued or will accrue thereafter to the purchaser.





## BERGRIVIER MUNICIPALITY

### 27. Settlement of Disputes

- 27.1. If any dispute or difference of any kind whatsoever arises between the purchaser and the supplier in connection with or arising out of the contract, the parties shall make every effort to resolve amicably such dispute or difference by mutual consultation.
- 27.2. If, after thirty (30) days, the parties have failed to resolve their dispute or difference by such mutual consultation, then either the purchaser or the supplier may give notice to the other party of his intention to commence with mediation. No mediation in respect of this matter may be commenced unless such notice is given to the other party.
- 27.3. Should it not be possible to settle a dispute by means of mediation, it may be settled in a South African court of law.
- 27.4. Notwithstanding any reference to mediation and/or court proceedings herein,
  - 27.4.1. the parties shall continue to perform their respective obligations under the contract unless they otherwise agree; and
  - 27.4.2. the purchaser shall pay the supplier any monies due for goods delivered and / or services rendered according to the prescripts of the contract.

### 28. Limitation of liability

- 28.1. Except in cases of criminal negligence or wilful misconduct, and in the case of infringement pursuant to Clause 6;
  - 28.1.1. the supplier shall not be liable to the purchaser, whether in contract, tort, or otherwise, for any indirect or consequential loss or damage, loss of use, loss of production, or loss of profits or interest costs, provided that this exclusion shall not apply to any obligation of the supplier to pay penalties and/or damages to the purchaser; and
  - 28.1.2. the aggregate liability of the supplier to the purchaser, whether under the contract, in tort or otherwise, shall not exceed the total contract price, provided that this limitation shall not apply to the cost of repairing or replacing defective equipment

### 29. Governing language

The contract shall be written in English. All correspondence and other documents pertaining to the contract that is exchanged by the parties shall also be written in English.

### 30. Applicable law

The contract shall be interpreted in accordance with South African laws, unless otherwise specified.

### 31. Notices

- 31.1. Every written acceptance of a bid shall be posted to the supplier concerned by registered or certified mail and any other notice to him shall be posted by ordinary mail to the address furnished in his bid or to the address notified later by him in writing and such posting shall be deemed to be proper service of such notice
- 31.2. The time mentioned in the contract documents for performing any act after such aforesaid notice has been given, shall be reckoned from the date of posting of such notice.

### 32. Taxes and duties

- 32.1. A foreign supplier shall be entirely responsible for all taxes, stamp duties, license fees, and other such levies imposed outside the purchaser's country.
- 32.2. A local supplier shall be entirely responsible for all taxes, duties, license fees, etc., incurred until delivery of the contracted goods to the purchaser.
- 32.3. No contract shall be concluded with any bidder whose tax matters are not in order. Prior to the award of a bid SARS must have certified that the tax matters of the preferred bidder are in order.
- 32.4. No contract shall be concluded with any bidder whose municipal rates and taxes and municipal services charges are in arrears.



## BERGRIVIER MUNICIPALITY

---

### 33. Transfer of contracts

The contractor shall not abandon, transfer, cede, assign or sublet a contract or part thereof without the written permission of the purchaser.

### 34. Amendment of contracts

No agreement to amend or vary a contract or order or the conditions, stipulations or provisions thereof shall be valid and of any force unless such agreement to amend or vary is entered into in writing and signed by the contracting parties. Any waiver of the requirement that the agreement to amend or vary shall be in writing, shall also be in writing.

### 35. Prohibition of restrictive practices.

- 35.1. In terms of section 4 (1) (b) (iii) of the Competition Act No. 89 of 1998, as amended, an agreement between, or concerted practice by, firms, or a decision by an association of firms, is prohibited if it is between parties in a horizontal relationship and if a bidder(s) is / are or a contractor(s) was / were involved in collusive bidding.
- 35.2. If a bidder(s) or contractor(s) based on reasonable grounds or evidence obtained by the purchaser has / have engaged in the restrictive practice referred to above, the purchaser may refer the matter to the Competition Commission for investigation and possible imposition of administrative penalties as contemplated in section 59 of the Competition Act No 89 Of 1998.
- 35.3. If a bidder(s) or contractor(s) has / have been found guilty by the Competition Commission of the restrictive practice referred to above, the purchaser may, in addition and without prejudice to any other remedy provided for, invalidate the bid(s) for such item(s) offered, and / or terminate the contract in whole or part, and / or restrict the bidder(s) or contractor(s) from conducting business with the public sector for a period not exceeding ten (10) years and / or claim damages from the bidder(s) or contractor(s) concerned.

*General Conditions of Contract (revised July 2010)*



## BERGRIVIER MUNICIPALITY

### 5. GENERAL CONDITIONS OF TENDER

1. Sealed tenders, with the **"TENDER NUMBER: 8/3/25-2022 MN186/2022"** clearly endorsed on the envelope, must be deposited in the **TENDER BOX** at the offices of the Bergrivier Municipality, Kerk Street, Piketberg 7320.
2. The tender must be lodged by the Tenderer in the tender box in the Main Entrance, Bergrivier Municipal Offices, Kerk Street, Piketberg 7320.

#### PLEASE NOTE:

- 2.1. Tenders that are deposited in the incorrect box will not be considered.
- 2.2. Mailed, telegraphic or faxed tenders will not be accepted.
- 2.3. Documents may only be completed in non-erasable ink.
- 2.4. The use of correction fluid/tape is not allowed.
  - 2.4.1. In the event of a mistake having been made, it shall be crossed out in ink and be accompanied by an initial at each and every alteration.
  - 2.4.2. Alterations or deletions not signed by the Tenderer may render the tender invalid.
- 2.5. All bids must be submitted in writing on the official forms supplied (not to be re-typed)
- 2.6. All prices shall be quoted in South African currency and be **INCLUSIVE of VAT**.
3. **Where the value of an intended contract will exceed R1 000 000, 00 (R1 million) it is the bidder's responsibility to be registered with the South African Revenue Service (SARS) for VAT purposes in order to be able to issue tax invoices. The municipality will deem the price above R 1 000 000.00 (R1 million) to be VAT inclusive even if it is indicated that no VAT is charged. Please insure that provision is made for VAT in these instances.**
  - 3.1 It is a requirement of this contract that the amount of value-added tax (VAT) must be shown clearly on each invoice.
  - 3.2 The amended Value-Added Tax Act requires that a Tax Invoice for supplies in excess of R3 000 should, in addition to the other required information, also disclose the VAT registration number of the recipient, with effect from 1 March 2005. The VAT registration number of the Bergrivier Municipality is **4000 846 172**.
- 3 Any Tender received after the appointed time for the closing of Tenders shall not be considered but shall be filed unopened with the other Tenders received or may be returned to the Tenderer at his request.
- 4 Tenders may not be telefaxed to the Municipality and therefore any tenders received by fax will **not** be considered.
- 5 Tenders shall be opened in public at the Bergrivier Municipal Offices as soon as possible after the closing time for the receipt of tenders. Tenderers are encourage to attend these openings.
- 6 The Municipality shall have the right to summarily disqualify any Tenderer who, either at the date of submission of this tender or at the date of its award, is indebted to the Municipality in respect of any rental, levies, rates and/or service charges; ALTERNATIVELY;
  - 6.1 That an agreement be signed whereby the Tenderer agrees that a percentage or fixed amount at the discretion of the Municipality, be deducted from payments due to him for this tender, until the debt is paid in full.
  - 6.2 The tenderer shall declare **all** the Municipal account numbers in the Bergrivier Area for which the enterprise or the proprietors or directors in their personal capacity is/ are responsible or co-responsible.



**BERGRIVIER MUNICIPALITY**

7 This bid will be evaluated and adjudicated according to the following criteria:

- 7.1 Relevant specifications
- 7.2 Value for money
- 7.3 Capability to execute the contract
- 7.4 PPPFA & associated regulations

**8 Service Level Agreement**

The award of the tender is subject to the signing of a Service Level Agreement (SLA) between the successful bidder and Bergrivier Municipality.

**9 Centralised Supplier Database**

No Bids will be awarded to a bidder who is not registered on the Centralized Supplier Database (CSD).

The CSD supplier number starting with (MAAA) number is automatically generated by the Central Database System after successful registration and validation of a prospective service provider. This number is now a mandatory requirement, as referred to in regulation 14(1) (b) of the Municipal Supply Chain Management Regulations, as part of the listing criteria for accrediting a prospective service provider. Prospective suppliers should self – register on the CSD website at [www.csd.gov.za](http://www.csd.gov.za) Registration on the CSD will be compulsory in order to conduct business with the Bergrivier Municipality. Registration on CSD can be done by contacting 022 913 6000 Mrs. Revedy Hendricks.

<b>Centralized Supplier Database (CSD) No. MAAA.....</b>
--



**BERGRIVIER MUNICIPALITY**

**6. MBD 2 – TAX CLEARANCE CERTIFICATE REQUIREMENTS**

**It is a condition of bid that the taxes of the successful bidder must be in order, or that satisfactory arrangements have been made with South African Revenue Service (SARS) to meet the bidder’s tax obligations.**

1. The **Tax Clearance Certificate/ Tax Compliance Status (TCS) Pin/ Centralised Suppliers Database (CSD) Registration Number** **must be submitted together with the bid.** Failure to submit a Tax Clearance Certificate/TCS Pin/CSD registration number may result in the invalidation of the bid.

(a) *Tax Compliance Status (TCS) Pin as of 18 April 2016*

i. In terms of the new Tax Compliance Status System implemented by SARS on 18 April 2016, taxpayers are now able to issue the municipality with a TCS Pin which will be used to verify a bidder’s tax status online via SARS E-filing. This option will be used to verify the status of the service provider (which should be active or compliant) and will determine if the offer will be further evaluated or omitted, even if the bidder only submitted a TCC as per point 1 above. Service provider’s status which is found inactive or non-compliant their offers will be omitted. Bidders who are not in possession of an valid Tax Clearance Certificate must issue the municipality with the following:

Tax Clearance Certificate printed for SARS E-filing	
Tax Reference Number:	
Tax Compliance Status Pin:	

2. In bids where Consortia / Joint Ventures / Sub-contractors are involved, each party must submit a separate Tax Clearance Certificate, Tax Compliance Status Pin or CSD Registration number

3. Applications for the Tax Clearance Certificates may also be made via e-Filing. In order to use this provision, taxpayers will need to register with SARS as e-Filers through the website [www.sars.gov.za](http://www.sars.gov.za).

4. If a bidder is registered on Bergrivier Municipality supplier’s database; that contains a tax clearance certificate which is active on closing date of Bid/Formal quotation, it must be indicated as such on this page, whereby the attaching of a new tax clearance certificate to this page will not be required.

5. Non-adherence to point 4 above may invalidate your offer.



**BERGRIVIER MUNICIPALITY**

**PART B: TERMS AND CONDITIONS FOR BIDDING**

<b>1. BID SUBMISSION:</b>	
<p>1.1. BIDS MUST BE DELIVERED BY THE STIPULATED TIME TO THE CORRECT ADDRESS. LATE BIDS WILL NOT BE ACCEPTED FOR CONSIDERATION.</p> <p>1.2. <b>ALL BIDS MUST BE SUBMITTED ON THE OFFICIAL FORMS PROVIDED–(NOT TO BE RE-TYPED) OR ONLINE</b></p> <p>1.3. THIS BID IS SUBJECT TO THE PREFERENTIAL PROCUREMENT POLICY FRAMEWORK ACT AND THE PREFERENTIAL PROCUREMENT REGULATIONS, 2017, THE GENERAL CONDITIONS OF CONTRACT (GCC) AND, IF APPLICABLE, ANY OTHER SPECIAL CONDITIONS OF CONTRACT.</p>	
<b>2. TAX COMPLIANCE REQUIREMENTS</b>	
<p>2.1 BIDDERS MUST ENSURE COMPLIANCE WITH THEIR TAX OBLIGATIONS.</p> <p>2.2 BIDDERS ARE REQUIRED TO SUBMIT THEIR UNIQUE PERSONAL IDENTIFICATION NUMBER (PIN) ISSUED BY SARS TO ENABLE THE ORGAN OF STATE TO VIEW THE TAXPAYER'S PROFILE AND TAX STATUS.</p> <p>2.3 APPLICATION FOR THE TAX COMPLIANCE STATUS (TCS) CERTIFICATE OR PIN MAY ALSO BE MADE VIA E-FILING. IN ORDER TO USE THIS PROVISION, TAXPAYERS WILL NEED TO REGISTER WITH SARS AS E-FILERS THROUGH THE WEBSITE WWW.SARS.GOV.ZA.</p> <p>2.4 FOREIGN SUPPLIERS MUST COMPLETE THE PRE-AWARD QUESTIONNAIRE IN PART B:3.</p> <p>2.5 BIDDERS MAY ALSO SUBMIT A PRINTED TCS CERTIFICATE TOGETHER WITH THE BID.</p> <p>2.6 IN BIDS WHERE CONSORTIA / JOINT VENTURES / SUB-CONTRACTORS ARE INVOLVED; EACH PARTY MUST SUBMIT A SEPARATE TCS CERTIFICATE / PIN / CSD NUMBER.</p> <p>2.7 WHERE NO TCS IS AVAILABLE BUT THE BIDDER IS REGISTERED ON THE CENTRAL SUPPLIER DATABASE (CSD), A CSD NUMBER MUST BE PROVIDED.</p>	
<b>3. QUESTIONNAIRE TO BIDDING FOREIGN SUPPLIERS</b>	
3.1. IS THE ENTITY A RESIDENT OF THE REPUBLIC OF SOUTH AFRICA (RSA)?	<input type="checkbox"/> YES <input type="checkbox"/> NO
3.2. DOES THE ENTITY HAVE A BRANCH IN THE RSA?	<input type="checkbox"/> YES <input type="checkbox"/> NO
3.3. DOES THE ENTITY HAVE A PERMANENT ESTABLISHMENT IN THE RSA?	<input type="checkbox"/> YES <input type="checkbox"/> NO
3.4. DOES THE ENTITY HAVE ANY SOURCE OF INCOME IN THE RSA?	<input type="checkbox"/> YES <input type="checkbox"/> NO
3.5. IS THE ENTITY LIABLE IN THE RSA FOR ANY FORM OF TAXATION?	<input type="checkbox"/> YES <input type="checkbox"/> NO
<p><b>IF THE ANSWER IS "NO" TO ALL OF THE ABOVE, THEN IT IS NOT A REQUIREMENT TO REGISTER FOR A TAX COMPLIANCE STATUS SYSTEM PIN CODE FROM THE SOUTH AFRICAN REVENUE SERVICE (SARS) AND IF NOT REGISTER AS PER 2.3 ABOVE.</b></p>	

**NB: FAILURE TO PROVIDE ANY OF THE ABOVE PARTICULARS MAY RENDER THE BID INVALID. NO BIDS WILL BE CONSIDERED FROM PERSONS IN THE SERVICE OF THE STATE.**

SIGNATURE OF BIDDER: .....

CAPACITY UNDER WHICH THIS BID IS SIGNED: .....

DATE: .....



**BERGRIVIER MUNICIPALITY**

**7. MBD 4 – DECLARATION OF INTEREST**

1. No bid will be accepted from persons in the service of the state<sup>1</sup>.
2. Any person, having a kinship with persons in the service of the state, including a blood relationship, may make an offer or offers in terms of this invitation to bid. In view of possible allegations of favouritism, should the resulting bid, or part thereof, be awarded to persons connected with or related to persons in service of the state, it is required that the bidder or their authorised representative declare their position in relation to the evaluating/adjudicating authority and/or take an oath declaring his/her interest.
3. In order to give effect to the above, the following questionnaire must be completed and submitted with the bid:

3.1.	Full Name of bidder or his or her representative												
3.2.	Identity Number												
3.3.	Position occupied in the Company (director, shareholder <sup>2</sup> etc.)												
3.4.	Company Registration Number												
3.5.	Tax Reference Number												
3.6.	VAT Registration Number												
3.7.	Are you presently in the service of the state?	YES		NO									
3.7.1.	If so, furnish particulars:												
3.8.	Have you been in the service of the state for the past twelve months?	YES		NO									
3.8.1.	If so, furnish particulars:												

<sup>1</sup> MSCM Regulations: “in the service of the state” means to be –

- a. a member of –
  - i. any municipal council;
  - ii. any provincial legislature; or
  - iii. the National Assembly or the National Council of Provinces;
- b. a member of the board of directors of any municipal entity;
- c. an official of any municipality or municipal entity;
- d. an employee of any national or provincial department, national or provincial public entity or constitutional institution within the meaning of the Public Finance Management Act, 1999 (Act No.1 of 1999);
- e. an executive member of the accounting authority of any national or provincial public entity; or
- f. an employee of Parliament or a provincial legislature.

<sup>2</sup> “Shareholder” means a person who owns shares in the company and is actively involved in the management of the company or business and exercises control over the company.



**BERGRIVIER MUNICIPALITY**

<b>3.9.</b>	<b>Do you have any relationship (family, friend, other) with persons in the service of the state and who may be involved with the evaluation and or adjudication of this bid?</b>	YES		NO
3.9.1.	If so, furnish particulars:			
<b>3.10.</b>	<b>Are you aware of any relationship (family, friend, other) between a bidder and any persons in the service of the state who may be involved with the evaluation and or adjudication of this bid?</b>	YES		NO
3.10.1.	If so, furnish particulars:			
<b>3.11.</b>	<b>Are any of the company's directors, managers, principal shareholders or stakeholders in the service of the state?</b>	YES		NO
3.11.1.	If so, furnish particulars:			
<b>3.12.</b>	<b>Is any spouse, child or parent of the company's directors, managers, principal shareholders or stakeholders in the service of the state?</b>	YES		NO
3.12.1.	If so, furnish particulars:			
	Name of the spouse/child/parent : ..... ID number of the spouse/child/parent:..... Relationship to the official : ..... Designation of the spouse/child/parent: ..... Employer of the spouse/child/parent : .....			
<b>3.13.</b>	<b>Do you or any of the directors, trustees, managers, principal shareholders, or stakeholders of this company have any interest in any other related companies or business whether or not they are bidding for this contract?</b>	YES		NO
3.13.1.	If so, furnish particulars:			

<b>3.14.</b>	<b>Please provide the following information on ALL directors/shareholders/trustees/members below:</b>
--------------	---





**BERGRIVIER MUNICIPALITY**

Full Name and Surname	Identity Number	Personal Income Tax Number	Provide State <sup>3</sup> Employee Number

**NB:**

a) **PLEASE ATTACH CERTIFIED COPY(IES) OF ID DOCUMENT(S)**  
 b) **PLEASE PROVIDE PERSONAL INCOME TAX NUMBERS FOR ALL DIRECTORS / SHAREHOLDERS / TRUSTEES / MEMBERS, ETC.**

**4. DECLARATION**

I, the undersigned (name) \_\_\_\_\_, certify that the information furnished in paragraph 3 above is correct.

I accept that the state may act against me should this declaration prove to be false.

SIGNATURE		DATE	
NAME OF SIGNATORY			
POSITION			
NAME OF COMPANY			

<sup>3</sup> MSCM Regulations: "in the service of the state" means to be –

- a. a member of –
  - i. any municipal council;
  - ii. any provincial legislature; or
  - iii. the National Assembly or the National Council of Provinces;
- b. a member of the board of directors of any municipal entity;
- c. an official of any municipality or municipal entity;
- d. an employee of any national or provincial department, national or provincial public entity or constitutional institution within the meaning of the Public Finance Management Act, 1999 (Act No.1 of 1999);
- e. an executive member of the accounting authority of any national or provincial public entity; or
- f. an employee of Parliament or a provincial legislature.

**BERGRIVIER MUNICIPALITY****8. PREFERENCE POINTS CLAIM FORM IN TERMS OF THE PREFERENTIAL PROCUREMENT REGULATIONS 2017 – PURCHASES/SERVICES "Insert 80/20 or 90/10"****NB:**

**Before completing this form, bidders must study the general conditions, definitions and directives applicable in respect of B-BBEE, as prescribed in the Preferential Procurement Regulations, 2017.**

**1. GENERAL CONDITIONS**

1.1 The following preference point systems are applicable to all bids:

- the 80/20 system for requirements with a Rand value of up to R50 000 000 (all applicable taxes included); and
- The value of this bid is estimated to exceed/not exceed R50 000 000 (all applicable taxes included) and therefore the 80/20 or 90/10 preference point system shall be applicable; or

1.2 Points for this bid shall be awarded for:

- (a) Price; and
- (b) B-BBEE Status Level of Contributor.

1.3 The maximum points for this bid are allocated as follows:

	<b>POINTS</b>
1.1.1. Price	80
1.1.2. B-BBEE status level of contribution	20
<b>Total points for Price and B-BBEE must not exceed</b>	<b>100</b>

1.4 Failure on the part of a bidder to submit proof of B-BBEE Status level of contributor together with the bid will be interpreted to mean that preference points for B-BBEE status level of contribution are not claimed.

1.5 The purchaser reserves the right to require of a bidder, either before a bid is adjudicated or at any time subsequently, to substantiate any claim in regard to preferences, in any manner required by the purchaser.

**2. DEFINITIONS**

2.1 **"B-BBEE"** means broad-based black economic empowerment as defined in section 1 of the Broad-Based Black Economic Empowerment Act;

2.2 **"B-BBEE status level of contributor"** means the B-BBEE status of an entity in terms of a code of good practice on black economic empowerment, issued in terms of section 9(1) of the Broad-Based Black Economic Empowerment Act;

2.3 **"bid"** means a written offer in a prescribed or stipulated form in response to an invitation by an organ of state for the provision of goods or services, through price quotations, advertised competitive bidding processes or proposals;

2.4 **"Broad-Based Black Economic Empowerment Act"** means the Broad-Based Black Economic Empowerment Act, 2003 (Act No. 53 of 2003); as amended by Act No. 46 of 2013; (this was added by us)

2.5 **"EME"** means an Exempted Micro Enterprise in terms of a code of good practice on black economic empowerment issued in terms of section 9 (1) of the Broad-Based Black Economic Empowerment Act;

2.6 **"functionality"** means the ability of a tenderer to provide goods or services in accordance with



## BERGRIVIER MUNICIPALITY

specifications as set out in the tender documents.

- 2.7 “prices” includes all applicable taxes less all unconditional discounts;
- 2.8 “proof of B-BBEE status level of contributor” means:
- 2.8.1 B-BBEE Status level certificate issued by an authorized body or person;
  - 2.8.2 A sworn affidavit as prescribed by the B-BBEE Codes of Good Practice;
  - 2.8.3 Any other requirement prescribed in terms of the B-BBEE Act;
- 2.9 “QSE” means a qualifying small business enterprise in terms of a code of good practice on black economic empowerment issued in terms of section 9 (1) of the Broad-Based Black Economic Empowerment Act;
- 2.10 “rand value” means the total estimated value of a contract in Rand, calculated at the time of bid invitation, and includes all applicable taxes;

### 3. POINTS AWARDED FOR PRICE

#### 3.1 THE 80/20 OR 90/10 PREFERENCE POINT SYSTEMS

A maximum of 80 or 90 points is allocated for price on the following basis:

$$P_s = 80 \left( 1 - \frac{P_t - P_{\min}}{P_{\min}} \right) \quad \text{or} \quad P_s = 90 \left( 1 - \frac{P_t - P_{\min}}{P_{\min}} \right)$$

Where:

- $P_s$  = Points scored for price of bid under consideration  
 $P_t$  = Price of bid under consideration  
 $P_{\min}$  = Price of lowest acceptable bid

#### 4. FORMULAE FOR DISPOSAL OR LEASING OF STATE ASSETS AND INCOME-GENERATING PROCUREMENT

#### 5. POINTS AWARDED FOR PRICE

A maximum of 80 or 90 points is allocated for price on the following basis:

80/20                      or                      90/10

$$P_s = 80 \left( 1 + \frac{P_t - P_{\max}}{P_{\max}} \right) \quad \text{or} \quad P_s = 90 \left( 1 + \frac{P_t - P_{\max}}{P_{\max}} \right)$$

Where:

- $P_s$  = Points scored for price of bid under consideration  
 $P_t$  = Price of bid under consideration  
 $P_{\max}$  = Price of highest acceptable bid



## BERGRIVIER MUNICIPALITY

### 6. POINTS AWARDED FOR B-BBEE STATUS LEVEL OF CONTRIBUTION

6.1 In terms of Regulation 6 (2) and 7 (2) of the Preferential Procurement Regulations, preference points must be awarded to a bidder for attaining the B-BBEE status level of contribution in accordance with the table below:

B-BBEE Status Level of Contributor	Number of points (90/10 system)	Number of points (80/20 system)
1	10	20
2	9	18
3	6	14
4	5	12
5	4	8
6	3	6
7	2	4
8	1	2
Non-compliant contributor	0	0

### 7. BID DECLARATION

7.1 Bidders who claim points in respect of B-BBEE Status Level of Contribution must complete the following:

### 8. B -BBEE STATUS LEVEL OF CONTRIBUTION CLAIMED IN TERMS OF PARAGRAPHS 1.4 AND 4.1

6.1 B-BBEE Status Level of Contributor: = ..... (maximum of 10 or 20 points)

(Points claimed in respect of paragraph 7.1 must be in accordance with the table reflected in paragraph 4.1 and must be substantiated by means of a B-BBEE certificate issued by a Verification Agency accredited by SANAS or a Registered Auditor approved by IRBA or a sworn affidavit.

### 9. SUB-CONTRACTING

9.1 Will any portion of the contract be sub-contracted? ( <i>Tick applicable box</i> )	<b>YES</b>	<b>NO</b>	
9.1.1 If yes, indicate:			
9.1.1.1 what percentage of the contract will be subcontracted?		%	
9.1.1.2 the name of the sub-contractor?			
9.1.1.3 the B-BBEE status level of the sub-contractor?			
9.1.1.4 whether the sub-contractor is an EME or QSE? ( <i>Tick applicable box</i> )	<b>YES</b>	<b>NO</b>	



## BERGRIVIER MUNICIPALITY

9.1.1.5 Specify, by ticking the appropriate box, if subcontracting with an enterprise in terms of Preferential Procurement Regulations, 2017:

Designated Group: An EME or QSE which is at least 51% owned by:	EME √	QSE √
Black people		
Black people who are youth		
Black people who are women		
Black people with disabilities		
Black people living in rural or underdeveloped areas or townships		
Cooperative owned by black people		
Black people who are military veterans		
<b>OR</b>		
Any EME		
Any QSE		



## BERGRIVIER MUNICIPALITY

### 10. DECLARATION WITH REGARD TO COMPANY/FIRM

<b>8.1 Name of Company/firm:</b>		
<b>8.2 VAT registration number</b>		
<b>8.3 Company registration number</b>		
<b>8.4 Type of Company/Firm: (Tick applicable box)</b>	Partnership / Joint Venture / Consortium	<input type="checkbox"/>
	One person business / sole proprietor	<input type="checkbox"/>
	Close Corporation	<input type="checkbox"/>
	Company	<input type="checkbox"/>
	(Pty) Limited	<input type="checkbox"/>
<b>8.5 Describe Principal Business Activities</b>		
<b>8.6 Company Classification (Tick applicable box)</b>	Manufacturer	<input type="checkbox"/>
	Supplier	<input type="checkbox"/>
	Professional service provider	<input type="checkbox"/>
	Other service providers, e.g. transporter, etc.	<input type="checkbox"/>
<b>8.7 Municipal Information</b>		
<b>Municipality where business is situated:</b>		
<b>Registered Account Number:</b>		
<b>Stand Number:</b>		
<b>8.8 Total Number of years the Company/Firm has been in business:</b>		



## BERGRIVIER MUNICIPALITY

11. I / we, the undersigned, who is / are duly authorised to do so on behalf of the company/firm, certify that the points claimed, based on the B-BBE status level of contribution indicated in paragraph 1.4 and 6.1 of the foregoing certificate, qualifies the company/ firm for the preference(s) shown and I / we acknowledge that:
- 11.1 The information furnished is true and correct;
- 11.2 The preference points claimed are in accordance with the General Conditions as indicated in paragraph 1 of this form.
- 11.3 In the event of a contract being awarded as a result of points claimed as shown in paragraph 1.4 and 6.1, the contractor may be required to furnish documentary proof to the satisfaction of the purchaser that the claims are correct;
- 11.4 If the B-BBEE status level of contribution has been claimed or obtained on a fraudulent basis or any of the conditions of contract have not been fulfilled, the purchaser may, in addition to any other remedy it may have –
- 11.4.1 disqualify the person from the bidding process;
- 11.4.2 recover costs, losses or damages it has incurred or suffered as a result of that person's conduct;
- 11.4.3 cancel the contract and claim any damages which it has suffered as a result of having to make less favourable arrangements due to such cancellation;
- 11.4.4 restrict the bidder or contractor, its shareholders and directors, or only the shareholders and directors who acted on a fraudulent basis, from obtaining business from any organ of state for a period not exceeding 10 years, after the *audi alteram partem* (hear the other side) rule has been applied; and
- 11.4.5 forward the matter for criminal prosecution

SIGNATURE OF BIDDER(S):			
WITNESS 1:		WITNESS 2:	
DATE:			
ADDRESS:			

**BERGRIVIER MUNICIPALITY****9. DECLARATION CERTIFICATE FOR LOCAL PRODUCTION AND CONTENT FOR DESIGNATED SECTORS**

This Municipal Bidding Document (MBD) must form part of all bids invited. It contains general information and serves as a declaration form for local content (local production and local content are used interchangeably).

Before completing this declaration, bidders must study the General Conditions, Definitions, Directives applicable in respect of Local Content as prescribed in the Preferential Procurement Regulations, 2017, the South African Bureau of Standards (SABS) approved technical specification number SATS 1286:2011 (Edition 1) and the Guidance on the Calculation of Local Content together with the Local Content Declaration Templates [Annex C (Local Content Declaration: Summary Schedule), D (Imported Content Declaration: Supporting Schedule to Annex C) and E (Local Content Declaration: Supporting Schedule to Annex C)].

**1. General Conditions**

- 1.1. Preferential Procurement Regulations, 2017 (Regulation 8) make provision for the promotion of local production and content.
- 1.2. Regulation 8.(2) prescribes that in the case of designated sectors, organs of state must advertise such tenders with the specific bidding condition that only locally produced or manufactured goods, with a stipulated minimum threshold for local production and content will be considered.
- 1.3. Where necessary, for tenders referred to in paragraph 1.2 above, a two stage bidding process may be followed, where the first stage involves a minimum threshold for local production and content and the second stage price and B-BBEE.
- 1.4. A person awarded a contract in relation to a designated sector, may not sub-contract in such a manner that the local production and content of the overall value of the contract is reduced to below the stipulated minimum threshold.
- 1.5. The local content (LC) expressed as a percentage of the bid price must be calculated in accordance with the SABS approved technical specification number SATS 1286: 2011 as follows:

$$LC = [1 - x / y] * 100$$

Where

x is the imported content in Rand

y is the bid price in Rand excluding value added tax (VAT)

Prices referred to in the determination of x must be converted to Rand (ZAR) by using the exchange rate published by South African Reserve Bank (SARB) at 12:00 on the date of advertisement of the bid as indicated in paragraph 4.1 below.

**The SABS approved technical specification number SATS 1286:2011 is accessible on [http://www.thedti.gov.za/industrial development/ip.jsp](http://www.thedti.gov.za/industrial%20development/ip.jsp) at no cost.**

- 1.6. A bid may be disqualified if this Declaration Certificate and the Annex C (Local Content Declaration: Summary Schedule) are not submitted as part of the bid documentation;





## BERGRIVIER MUNICIPALITY

2. The stipulated minimum threshold(s) for local production and content (refer to Annex A of SATS 1286:2011) for this bid is/are as follows:

*	<b>Electrical cable products (Household wiring)</b>	<b>90%</b>
*	<b>Steel products</b>	<b>100%</b>

**Please submit also letters of exemption from DTI if local content is not 100%.  
Please ensure that you put all the items on Annexure A on which you make an offer.**

3. Does any portion of the goods or services offered have any imported content?

*(Tick applicable box)*

YES		NO	
-----	--	----	--

- 3.1 If yes, the rate(s) of exchange to be used in this bid to calculate the local content as prescribed in paragraph 1.5 of the general conditions must be the rate(s) published by SARB for the specific currency at 12:00 on the date of advertisement of the bid.

The relevant rates of exchange information is accessible on [www.reservebank.co.za](http://www.reservebank.co.za)

Indicate the rate(s) of exchange against the appropriate currency in the table below (refer to Annex A of SATS 1286:2011):

Currency	Rates of exchange
US Dollar	
Pound Sterling	
Euro	
Yen	
Other	

**NB: Bidders must submit proof of the SARB rate (s) of exchange used on date of advert**

4. Where, after the award of a bid, challenges are experienced in meeting the stipulated minimum threshold for local content the dti must be informed accordingly in order for the dti to verify and in consultation with the AO/AA provide directives in this regard.

SIGNATURE OF BIDDER(S):			
WITNESS 1:		WITNESS 2:	
DATE:			
ADDRESS:			



# BERGRIVIER MUNICIPALITY

## LOCAL CONTENT DECLARATION (REFER TO ANNEX B OF SATS 1286:2011)

### LOCAL CONTENT DECLARATION BY CHIEF FINANCIAL OFFICER OR OTHER LEGALLY RESPONSIBLE PERSON NOMINATED IN WRITING BY THE CHIEF EXECUTIVE OR SENIOR MEMBER/PERSON WITH MANAGEMENT RESPONSIBILITY (CLOSE CORPORATION, PARTNERSHIP OR INDIVIDUAL)

IN RESPECT OF TENDER NO. **8/3/25-2022 MN186-2022**, ISSUED BY BERGRIVIER MUNICIPALITY.  
NB

- 1 The obligation to complete, duly sign and submit this declaration cannot be transferred to an external authorized representative, auditor or any other third party acting on behalf of the bidder.
- 2 Guidance on the Calculation of Local Content together with Local Content Declaration Templates (Annex C, D and E) is accessible on [http://www.thdti.gov.za/industrial\\_development/ip.jsp](http://www.thdti.gov.za/industrial_development/ip.jsp). Bidders should first complete Declaration D. After completing Declaration D, bidders should complete Declaration E and then consolidate the information on Declaration C. **Declaration C should be submitted with the bid documentation at the closing date and time of the bid in order to substantiate the declaration made in paragraph (c) below.** Declarations D and E should be kept by the bidders for verification purposes for a period of at least 5 years. The successful bidder is required to continuously update Declarations C, D and E with the actual values for the duration of the contract.

I, the undersigned, ..... (full names),  
do hereby declare, in my capacity as .....  
of .....(name of bidder entity), the  
following:

- (a) The facts contained herein are within my own personal knowledge.
- (b) I have satisfied myself that:
  - (i) the goods/services/works to be delivered in terms of the above-specified bid comply with the minimum local content requirements as specified in the bid, and as measured in terms of SATS 1286:2011; and
- (c) The local content percentage (%) indicated below has been calculated using the formula given in clause 3 of SATS 1286:2011, the rates of exchange indicated in paragraph 4.1 above and the information contained in Declaration D and E which has been consolidated in Declaration C:

Bid price, excluding VAT (y)	R
Imported content (x), as calculated in terms of SATS 1286:2011	R
Stipulated minimum threshold for local content (paragraph 3 above)	
Local content %, as calculated in terms of SATS 1286:2011	

**If the bid is for more than one product, the local content percentages for each product contained in Declaration C shall be used instead of the table above.**

**The local content percentages for each product has been calculated using the formula given in clause 3 of SATS 1286:2011, the rates of exchange indicated in paragraph 4.1 above and the information contained in Declaration D and E.**

- (d) I accept that the Procurement Authority / Institution has the right to request that the local content be verified in terms of the requirements of SATS 1286:2011.



## BERGRIVIER MUNICIPALITY

- (e) I understand that the awarding of the bid is dependent on the accuracy of the information furnished in this application. I also understand that the submission of incorrect data, or data that are not verifiable as described in SATS 1286:2011, may result in the Procurement Authority / Institution imposing any or all of the remedies as provided for in Regulation 14 of the Preferential Procurement Regulations, 2017 promulgated under the Preferential Policy Framework Act (PPPFA), 2000 (Act No. 5 of 2000).

	SIGNATURE	DATE
<b>TENDERER:</b>		
<b>WITNESS No. 1:</b>		
<b>WITNESS No. 2:</b>		



**BERGRIVIER MUNICIPALITY**

<b>ANNEXURE C</b>	<b>SATS 1286.2011</b>
<b>Local Content Declaration – Summary Schedule</b>	

<b>(C1) Tender No.</b>	8/3/25-2022 MN186-2022			<b>NOTE: VAT to be excluded from all calculations</b>
<b>(C2) Tender Description</b>	SUPPLY, DELIVER, INSTALL AND COMMISSIONING OF VARIABLE SPEED DRIVES AT PUMP STATION IN PORTERVILLE			
<b>(C3) Designated product(s)</b>				
<b>(C4) Tender Authority</b>				
<b>(C5) Name of Tendering Entity</b>				
<b>(C6) Tender Exchange Rate</b>	<b>Currency</b>		<b>Rate</b>	
<b>(C7) Specified local content 100 %</b>	Electrical cable products/Steel products		90/100%	

Calculation of local content								Tender summary			
Tender Item No's	List of Items	Tender Price – each	Exempted imported value	Tender value net of exempted imported content	Imported value	Local value	Local content % (per item)	Tender Quantity	Total tender value	Total exempted imported content	Total imported content
(C8)	(C9)	(C10)	(C11)	(C12)	(C13)	(C14)	(C15)	(C16)	(C17)	(C18)	(C19)
								<b>(C20) Total tender value</b>			
								<b>(C21) Total Exempt imported content</b>			
SIGNATURE OF TENDERER AS PER LOCAL CONTENT DECLARATION								<b>(C22) Total Tender value net of exempt imported content</b>			
DATE								<b>(C23) Total Imported content</b>			
								<b>(C24) Total local content</b>			
								<b>(C25) Average local content % of tender</b>			



**BERGRIVIER MUNICIPALITY**

**ANNEXURE D**

**SATS 1286.2011**

**Imported Content Declaration – Supporting Schedule to Annexure C**

(D1)	<b>Tender No.</b>	8/3/25-2022 MN186-2022		
(D2)	<b>Tender Description</b>	SUPPLY, DELIVER, INSTALL AND COMMISSIONING OF VARIABLE SPEED DRIVES AT PUMP STATION IN PORTERVILLE		
(D3)	<b>Designated product(s)</b>			
(D4)	<b>Tender Authority</b>			
(D5)	<b>Tendering Entity's Name</b>			
(D6)	<b>Tender Exchange Rate</b>	<b>Currency</b>		<b>Rate</b>

**NOTE: VAT to be excluded from all calculations**

A. Exempted imported content				Calculation of imported content					
Tender item no's	Description of imported content	Local supplier	Overseas supplier	Foreign currency value as per Commercial Invoice	Tender Exchange Rate	Local value of imports	Freight costs to port of entry	All locally incurred landing costs & duties	Total landed cost
(D7)	(D8)	(D9)	(D10)	(D11)	(D12)	(D13)	(D14)	(D15)	(D16)

(D19) Total exempt imported value

Summary	
Tender Quantity	Exempted imported value
(D17)	(D18)

This total must correspond with Annex C – C21

B. Imported directly by the Tenderer				Calculation of imported content					
Tender item no's	Description of imported content	Unit of measure	Overseas supplier	Foreign currency value as per Commercial Invoice	Tender Exchange Rate	Local value of imports	Freight costs to port of entry	All locally incurred landing costs & duties	Total landed cost
(D20)	(D21)	(D22)	(D23)	(D24)	(D25)	(D26)	(D27)	(D28)	(D29)

(D32) Total imported value by tenderer

Summary	
Tender Quantity	Total imported value
(D30)	(D31)



**BERGRIVIER MUNICIPALITY**

**ANNEXURE D - Continued**

**SATS 1286.2011**

**Imported Content Declaration – Supporting Schedule to Annexure C**

**NOTE: VAT to be excluded from all calculations**

C. Imported by a 3 <sup>rd</sup> party and supplied to the Tenderer				Calculation of imported content						Summary	
Description of imported content	Unit of measure	Local supplier	Overseas supplier	Foreign currency value as per Commercial Invoice	Tender Exchange Rate	Local value of imports	Freight costs to port of entry	All locally incurred landing costs & duties	Total landed cost	Quantity imported	Total imported value
(D33)	(D34)	(D35)	(D36)	(D37)	(D38)	(D39)	(D40)	(D41)	(D42)	(D43)	(D44)
<b>(D45) Total imported value by 3<sup>rd</sup> party</b>											

D. Other foreign currency payments			Calculation of foreign currency payments		Summary of Payments	
Type of payment	Local supplier making the payment	Overseas beneficiary	Foreign currency value paid	Tender rate of exchange	Local value of payments	
(D46)	(D47)	(D48)	(D49)	(D50)	(D51)	
<b>(D52) Total of foreign currency payments declared by tenderer and/or 3<sup>rd</sup> party</b>						
<b>(D53) Total o imported content and foreign currency payments – (D32), (D45) and (D52) above</b>						

**This total must correspond with Annex C – (C23)**

SIGNATURE OF TENDERER AS PER LOCAL CONTENT DECLARATION

DATE

<b>ANNEX E</b>	<b>SATS 1286.2011</b>
<b>Local content Declaration – Summary Schedule</b>	

<b>(E1) Tender No.</b>	8/3/25-2022 MN186-2022	NOTE: VAT to be excluded from all calculations
<b>(E2) Tender Description</b>	SUPPLY, DELIVER, INSTALL AND COMMISSIONING OF VARIABLE SPEED DRIVES AT PUMP STATION IN PORTERVILLE	
<b>(E3) Designated product(s)</b>		
<b>(E4) Tender Authority</b>		
<b>(E5) Tendering Entity's Name</b>		

LOCAL PRODUCTS (Goods, Services and Works)		
Description of items purchased	Local suppliers	Value
(E6)	(E7)	(E8)
<b>(E9) Total local products (Goods, service and works)</b>		

**(E10) Manpower costs** (Tenderer's own manpower cost)

**(E11) Factory overheads** (Rental, depreciation & amortization, utility costs, consumables, etc.)

**(E12) Administration overheads and mark-up** (Marketing, insurance, financing interest, etc.)

**(E13) Total local content**

**This total must correspond with Annex C – C24**

\_\_\_\_\_  
SIGNATURE OF TENDERER AS PER LOCAL CONTENT DECLARATION

\_\_\_\_\_  
DATE

### 3. SECTOR DESIGNATION

- 3.1 The stipulated minimum threshold percentage for local production and content for the different types of electrical cables is 90%.
- 3.2 To ensure that local production and content is discharged on manufacturing activities, the following cables which have been designated must be included in bid invitations:

#### Power Cables: cables used for power transmission

Cable Products	Stipulated minimum threshold
Low Voltage	90%
Low Cost Reticulation	90%
Medium & High Voltage	90%
ACR	90%

#### Telecom Cables: cables used for telecommunications

Cable Products	Stipulated minimum threshold
Optical Fibre Cables	90%
Copper Telecom Cables	90%

- 3.2 Excluded in the designation is mainly copper, aluminium, polyvinyl chloride (PVC), cross-linked polyethylene (XLPE), aramid yarn, and optical fibre used for fabrication of cable products. This is to encourage local manufacturers to seek the best global competitive prices for primary materials hence the competitive imported materials used in the manufacture of cables will be deemed to have been sourced locally for the purposes of calculating local content.
- 3.3 Subject to market changes, National Treasury in consultation with the dti reserves the right to reintroduce deeming of primary steel as locally produced.

#### List of Specific Cables designated under this instruction note:

Category	Type
<b>LOW VOLTAGE</b>	Housewire, Flat Twin and Earth, Surface Cable, Rip Cord, Cab Tyre, Bells Cable, 1,5mm <sup>2</sup> – 16mm <sup>2</sup> , 2-37 cores, Fire Retardant, Low Halogen and

Materials	Description	Local Content Threshold
Fabricated Structural Steel	Latticed steelwork, reinforcement steel, columns, beams, plate girders, rafters, bracing, cladding supports, stair stringers & treads, ladders, steel flooring, floor grating, handrailing and balustrading, scaffolding, ducting, gutters, launders, downpipes and trusses	100%
Joining/Connecting Components	Gussets, cleats, stiffeners, splices, cranks, kinks, doglegs, spacers, tabs, brackets	100%
Frames	Doors and Windows	100%
Roof and Cladding	Bare steel cladding, galvanised steel cladding, colour coated cladding	100%
Fasteners	Bolts, nuts, rivets and nails	100%
Wire Products	All fencing products: all barbed wire and mesh fencing, fabric/mesh reinforcing, gabions, wire rope/strand and chains, welding electrodes, nails/tacks, springs and screws	100%
Ducting and Structural Pipework	Non-conveyance tubing fabricated from steel sheeting and plate with structural supports	100%
Gutters, downpipes & launders	Fabricated materials made from sheeting associated with roof drainage systems	100%

**Table 1b: Minimum local content for Primary Steel Products**

Steel Construction Materials	Local Content Threshold
Plates (>4.5mm thick and supplied in flat pieces)	100%
Sheets (<4.5mm thick and supplied in coils)	100%
Galvanised and Colour Coated Coils	100%
Wire Rod and Drawn Wire	100%
Sections (Channels, Angles, I-Beams and H-Beams)	100%
Reinforcing bars	100%





**BERGRIVIER MUNICIPALITY**

**10. MBD 8 – DECLARATION OF BIDDER’S PAST SUPPLY CHAIN MANAGEMENT PRACTICES**

1. This Municipal Bidding Document must form part of all bids invited.
2. It serves as a declaration to be used by municipalities and municipal entities in ensuring that when goods and services are being procured, all reasonable steps are taken to combat the abuse of the supply chain management system.
3. The bid of any bidder may be rejected if that bidder, or any of its directors have:
  - 3.1. abused the municipality’s / municipal entity’s supply chain management system or committed any improper conduct in relation to such system;
  - 3.2. been convicted for fraud or corruption during the past five years;
  - 3.3. willfully neglected, reneged on or failed to comply with any government, municipal or other public sector contract during the past five years; or
  - 3.4. been listed in the Register for Tender Defaulters in terms of section 29 of the Prevention and Combating of Corrupt Activities Act (No 12 of 2004).
4. In order to give effect to the above, the following questionnaire must be completed and submitted with the bid.

4.1	Is the bidder or any of its directors listed on the National Treasury’s database as a company or person prohibited from doing business with the public sector? <i>(Companies or persons who are listed on this database were informed in writing of this restriction by the National Treasury after the audi alteram partem rule was applied).</i>	<b>Yes</b>	<b>No</b>
4.1.1	If so, furnish particulars:		
4.2	Is the bidder or any of its directors listed on the Register for Tender Defaulters in terms of section 29 of the Prevention and Combating of Corrupt Activities Act (No 12 of 2004)? <i>(To access this Register enter the National Treasury’s website, <a href="http://www.treasury.gov.za">www.treasury.gov.za</a>, click on the icon “Register for Tender Defaulters” or submit your written request for a hard copy of the Register to facsimile number (012) 3265445).</i>	<b>Yes</b>	<b>No</b>
4.2.1	If so, furnish particulars:		
4.3	Was the bidder or any of its directors convicted by a court of law (including a court of law outside the Republic of South Africa) for fraud or corruption during the past five years?	<b>Yes</b>	<b>No</b>



**BERGRIVIER MUNICIPALITY**

4.3.1	If so, furnish particulars:		
4.4	Does the bidder or any of its directors owe any municipal rates and taxes or municipal charges to the municipality / municipal entity, or to any other municipality / municipal entity, that is in arrears for more than three months?	<b>Yes</b>	<b>No</b>
4.4.1	If so, furnish particulars:		
4.5	Was any contract between the bidder and the municipality / municipal entity or any other organ of state terminated during the past five years on account of failure to perform on or comply with the contract?	<b>Yes</b>	<b>No</b>
4.5.1	If so, furnish particulars:		

**5. CERTIFICATION**

I, the undersigned (full name), \_\_\_\_\_, certify that the information furnished on this declaration form true and correct.

I accept that, in addition to cancellation of a contract, action may be taken against me should this declaration prove to be false.

SIGNATURE:		NAME (PRINT):	
CAPACITY:		DATE:	
NAME OF FIRM:			



**BERGRIVIER MUNICIPALITY**

**11. CERTIFICATE OF INDEPENDENT BID DETERMINATION**

1. This Municipal Bidding Document (MBD) must form part of all bids invited.
2. Section 4 (1) (b) (iii) of the Competition Act No. 89 of 1998, as amended, prohibits an agreement between, or concerted practice by, firms, or a decision by an association of firms, if it is between parties in a horizontal relationship and if it involves collusive bidding (or bid rigging).<sup>4</sup> Collusive bidding is a *per se* prohibition meaning that it cannot be justified under any grounds.
3. Municipal Supply Regulation 38 (1) prescribes that a supply chain management policy must provide measures for the combating of abuse of the supply chain management system, and must enable the accounting officer, among others, to:
  - 3.1. take all reasonable steps to prevent such abuse;
  - 3.2. reject the bid of any bidder if that bidder or any of its directors has abused the supply chain management system of the municipality or municipal entity or has committed any improper conduct in relation to such system; and
  - 3.3. cancel a contract awarded to a person if the person committed any corrupt or fraudulent act during the bidding process or the execution of the contract.
4. This MBD serves as a certificate of declaration that would be used by institutions to ensure that, when bids are considered, reasonable steps are taken to prevent any form of bid-rigging.
5. In order to give effect to the above, the attached Certificate of Bid Determination (MBD 9) must be completed and submitted with the bid:

**CERTIFICATE OF INDEPENDENT BID DETERMINATION:**

In response to the invitation for the bid made by:

**BERGRIVIER MUNICIPALITY**

I, the undersigned, in submitting the accompanying bid, hereby make the following statements that I certify to be true and complete in every respect:

1. I have read and I understand the contents of this Certificate;
2. I understand that the accompanying bid will be disqualified if this Certificate is found not to be true and complete in every respect;
3. I am authorized by the bidder to sign this Certificate, and to submit the accompanying bid, on behalf of the bidder;
4. Each person whose signature appears on the accompanying bid has been authorized by the bidder to determine the terms of, and to sign, the bid, on behalf of the bidder;
5. For the purposes of this Certificate and the accompanying bid, I understand that the word "competitor" shall include any individual or organization, other than the bidder, whether or not affiliated with the bidder, who:
  - 5.1. has been requested to submit a bid in response to this bid invitation;

<sup>4</sup> Bid rigging (or collusive bidding) occurs when businesses, that would otherwise be expected to compete, secretly conspire to raise prices or lower the quality of goods and / or services for purchasers who wish to acquire goods and / or services through a bidding process. Bid rigging is, therefore, an agreement between competitors not to compete.



## BERGRIVIER MUNICIPALITY

- 5.2. could potentially submit a bid in response to this bid invitation, based on their qualifications, abilities or experience; and
- 5.3. provides the same goods and services as the bidder and/or is in the same line of business as the bidder
6. The bidder has arrived at the accompanying bid independently from, and without consultation, communication, agreement or arrangement with any competitor. However communication between partners in a joint venture or consortium<sup>5</sup> will not be construed as collusive bidding.
7. In particular, without limiting the generality of paragraphs 6 above, there has been no consultation, communication, agreement or arrangement with any competitor regarding:
  - 7.1. prices;
  - 7.2. geographical area where product or service will be rendered (market allocation)
  - 7.3. methods, factors or formulas used to calculate prices;
  - 7.4. the intention or decision to submit or not to submit, a bid;
  - 7.5. the submission of a bid which does not meet the specifications and conditions of the bid; or
  - 7.6. bidding with the intention not to win the bid.
8. In addition, there have been no consultations, communications, agreements or arrangements with any competitor regarding the quality, quantity, specifications and conditions or delivery particulars of the products or services to which this bid invitation relates.
9. The terms of the accompanying bid have not been, and will not be, disclosed by the bidder, directly or indirectly, to any competitor, prior to the date and time of the official bid opening or of the awarding of the contract.
10. I am aware that, in addition and without prejudice to any other remedy provided to combat any restrictive practices related to bids and contracts, bids that are suspicious will be reported to the Competition Commission for investigation and possible imposition of administrative penalties in terms of section 59 of the Competition Act No. 89 of 1998 and or may be reported to the National Prosecuting Authority (NPA) for criminal investigation and or may be restricted from conducting business with the public sector for a period not exceeding ten (10) years in terms of the Prevention and Combating of Corrupt Activities Act No. 12 of 2004 or any other applicable legislation.

SIGNATURE		NAME (PRINT)	
CAPACITY		DATE	
NAME OF FIRM			

<sup>5</sup> Joint venture or Consortium means an association of persons for the purpose of combining their expertise, property, capital, efforts, skill and knowledge in an activity for the execution of a contract.



**BERGRIVIER MUNICIPALITY**

**12. CERTIFICATE FOR PAYMENT OF MUNICIPAL SERVICES**

**DECLARATION IN TERMS OF CLAUSE 112(1) OF THE MUNICIPAL FINANCE MANAGEMENT ACT (NO.56 OF 2003)**

I, \_\_\_\_\_, \_\_\_\_\_ (full name and ID no.), hereby acknowledge that according to SCM Regulation 38(1) (d) (i), the Municipality may reject the tender of the tenderer if any municipal rates and taxes or municipal service charges owed by the Tenderer or any of its directors/members/partners to the Bergrivier Municipality, or to any other municipality or municipal entity, are in arrears for more than 3 (three) months.

I declare that I am duly authorised to act on behalf of \_\_\_\_\_ (name of the firm) and hereby declare, that to the best of my personal knowledge, neither the firm nor any director/member/partner of said firm is in arrears on any of its municipal accounts with any municipality in the Republic of South Africa, for a period longer than 3 (three) months.

I further hereby certify that the information set out in this schedule and/or attachment(s) hereto is true and correct. The Tenderer acknowledges that failure to properly and truthfully complete this schedule may result in the tender being disqualified, and/or in the event that the tenderer is successful, the cancellation of the contract.

PHYSICAL BUSINESS ADDRESS(ES) OF THE TENDERER	MUNICIPAL ACCOUNT NUMBER

**FURTHER DETAILS OF THE BIDDER'S Director / Shareholder / Partners, etc.:**

Director / Shareholder / partner	Physical address of the Business	Municipal Account number(s)	Physical residential address of the Director / shareholder / partner	Municipal Account number(s)

**NB:** Please attach certified copy (s) of ID document(s) and Municipal Accounts  
 If the entity or any of its Directors/Shareholders/Partners, etc. rents/leases premises, a copy of the rental/lease agreement must be submitted with this tender.

<b>Signature</b>	<b>Position</b>	<b>Date</b>



**BERGRIVIER MUNICIPALITY**

**13. COMPENSATION FOR OCCUPATIONAL INJURIES AND DISEASES ACT, 1993 (ACT 130 OF 1993)**

**COMPENSATION FOR OCCUPATIONAL INJURIES AND DISEASES ACT, 1993 (ACT 130 OF 1993)**

**Bergrivier Municipality** has legal duty in terms of Section 89 of the said Act to ensure that all contractors with whom agreements are entered into for the execution of work are registered as employers in accordance with the provisions of this Act and that all the necessary assessments have been paid by the contractor.

In order to enter into this agreement, the following information is needed regarding the above-mentioned:

Contractor's registration number with the office of the Compensation Commissioner:

**NOTE:**

**A copy of the latest receipt together with a copy of the relevant assessment OR a copy of a valid Letter of Good Standing must be handed in, in this regard.**

PRINT NAME:			
CAPACITY:		NAME OF FIRM	
SIGNATURE:		DATE:	



## BERGRIVIER MUNICIPALITY

### 14. FORM OF INDEMNITY

#### INDEMNITY

Given by (Name of Company) \_\_\_\_\_

of (registered address of Company) \_\_\_\_\_

a company incorporated with limited liability according to the Company Laws of the Republic of South Africa (hereinafter called the Contractor), represented herein by (Name of Representative) \_\_\_\_\_

\_\_\_\_\_ in his capacity as (Designation) \_\_\_\_\_

of the Contractor, is duly authorized hereto by a resolution dated \_\_\_\_\_ /20\_\_\_\_,

to sign on behalf of the Contractor.

**WHEREAS** the Contractor has entered into a Contract dated \_\_\_\_\_ / 20\_\_\_\_, with the Municipality who require this indemnity from the Contractor.

**NOW THEREFORE THIS DEED WITNESSES** that the Contractor does hereby indemnify and hold harmless the Municipality in respect of all loss or damage that may be incurred or sustained by the Municipality by reason of or in any way arising out of or caused by operations that may be carried out by the Contractor in connection with the aforementioned contract; and also in respect of all claims that may be made against the Municipality in consequence of such operations, by reason of or in any way arising out of any accidents or damage to life or property or any other cause whatsoever; and also in respect of all legal or other expenses that may be incurred by the Municipality in examining, resisting or settling any such claims; for the due performance of which the Contractor binds itself according to law.

SIGNATURE OF CONTRACTOR:	
DATE:	
SIGNATURE OF WITNESS 1:	
DATE:	
SIGNATURE OF WITNESS 2:	
DATE:	



**BERGRIVIER MUNICIPALITY**

---

# **PART B – SPECIFICATIONS AND PRICING SCHEDULE**





## SPECIFICATIONS

# SUPPLY, DELIVER, INSTALL AND COMMISSIONING OF VARIABLE SPEED DRIVES AT PUMP STATION IN PORTERVILLE MONTE BERTHA BOOSTER PUMP STATION

### SCOPE OF WORKS

#### ELECTRICAL SPECIFICATION FOR MODIFICATIONS TO EXISTING MOTOR CONTROL CENTRE

##### 1. GENERAL

The existing Motor Control Centre (MCC) at the Porterville, Monte Bertha Booster pump station (Clear potable water) is to be modified.

The existing MCC was manufactured in 2004, and is still in a good, serviceable condition. The existing MCC contains the following equipment:

- 1 x 4.6 kW Jockey Pump (DOL)
- 2 x 15 kW Main pumps (S-D)
- 1 x 15 kW Main pump (Not connected)
- Control section with Endress & Hauser RIA 450 Process controller

The pipework is equipped with the following instrumentation:

- Analogue Pressure transducer (4-20 mA output)
- Turbine flowmeter with FM1-DK (pulse output)

The workshop drawings of the current MCC are attached to this enquiry.

##### 2. MODIFICATIONS

The current Main pumps are equipped with Star-Delta starters, and these are to be replaced with Variable Speed Drives.

The existing cubicles are to be re-used, with new doors of colour and layout to match the existing.

The existing control for starting and stopping the Jockey and Main pumps from the RIA 450 relays (R1; R2; R3; & R4), as well as the 3-pump duty cycling of the Main pumps is to be retained.

##### 3. EQUIPMENT SPECIFICATIONS

The specifications of the existing installation are as follows:

#### Main pumps (x2):

3-phase 400 V, 50 Hz

15 kW

27.3 A at 400 V (Pump 1) / 26.4 A at 400 V (Pump 2)

2 930 rpm



## BERGRIVIER MUNICIPALITY

### Switchboard:

Enclosure : Electro-Galvanized  
Colour: : Structure Orange  
Cubicles : 500 mm (h) x 600 mm (w) x 400 mm (d)  
Doors : Hinged with square-key latches

### Control:

Pressure control : Existing RIA 450 4-20 mA output to be relayed via a new signal converter to provide a 0-10 V signal as speed control to the VSDs.  
Pump protection : The existing motor thermistors shall be wired into the VSD as an external fault

### Variable Speed Drives:

Three Variable Speed Drives (VSDs) shall be supplied. The VSDs shall be of reputable manufacture, with **technical backup in the Western Cape.**

The VSDs shall be rated at 400 V, for the full load current of the motors and for continuous operation at ambient temperature of at least 40°C.

The VSDs shall be fitted with ventilation ducting inside the cubicle to force hot air out of the cubicle while drawing fresh air in. Only the VSD's internal ventilation fan shall be used for this forced ventilation – no additional ventilation fans shall be fitted to the cubicles. The air path shall be drawn into the cubicle at the bottom of the door, flow over the VSD heatsink, and be expelled out of the front of the cubicle door.

The VSD must be capable of being driven from a generator supply during load shedding periods.

## 4. CONTROL NARRATIVE

The pumps shall be controlled by the RIA 450 process controller, with low level protection (existing).

The RIA 450 process controller obtains an analogue signal from the pressure transducer on the delivery pipework (existing).

The Jockey pump shall switch on at a low pressure (as set on the RIA 450 as "R1"), with the first Main pump starting at the next setpoint on the RIA 450 (set as "R2"), the second Main pump starting at setpoint "R3", and the third Main pump starting at setpoint "R4". The Jockey pump must stop as soon as a Main pump starts. The duty must alternate on each start signal from "R1". This philosophy all exists within the current control.

Variable speed control must be added to the control, from the signal output of the pressure transducer. The pressure setpoint shall be set on the RIA 450, and the 4-20 mA output from the RIA 450 shall control the speed of the duty pump. If the duty pump cannot develop the setpoint pressure, the RIA 450 relay R2 shall start the next duty pump, with both pumps then running at the same speed. Should the two pumps not be able to maintain the pressure, the RIA 450 shall start the third duty pump, and all three will run at the same speed to maintain the pressure setpoint.

Should the pressure exceed the hysteresis setpoint even when running at minimum speed, the first duty pump that started will stop, the remaining duty pumps running at the same speed to

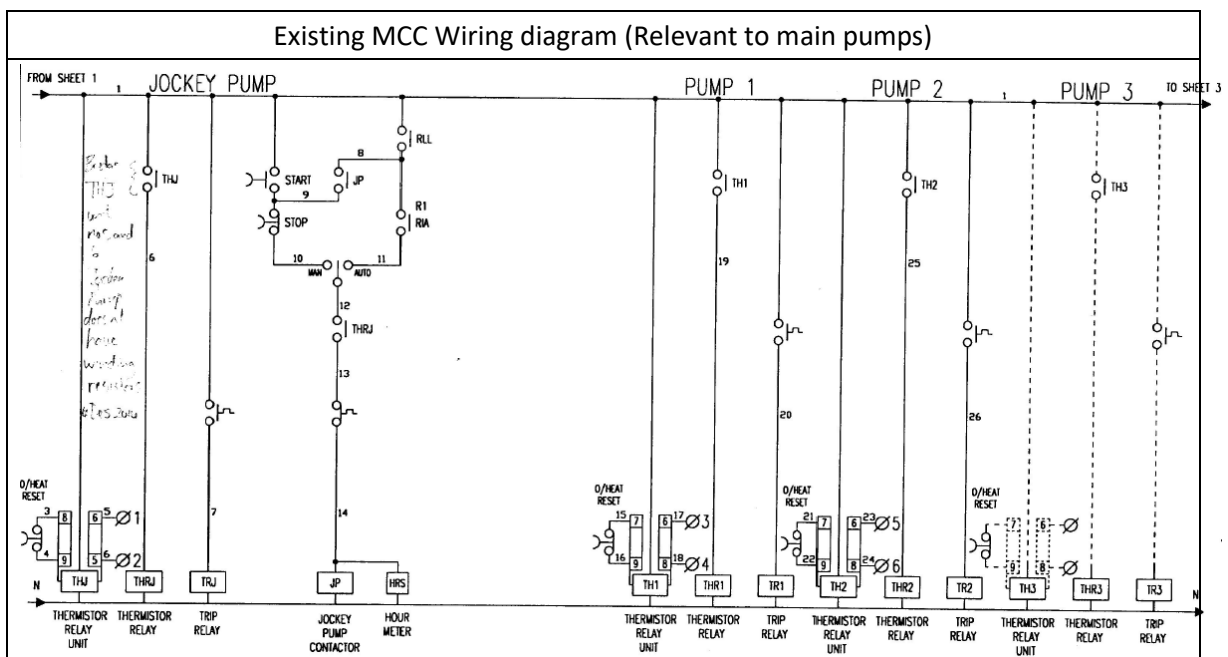
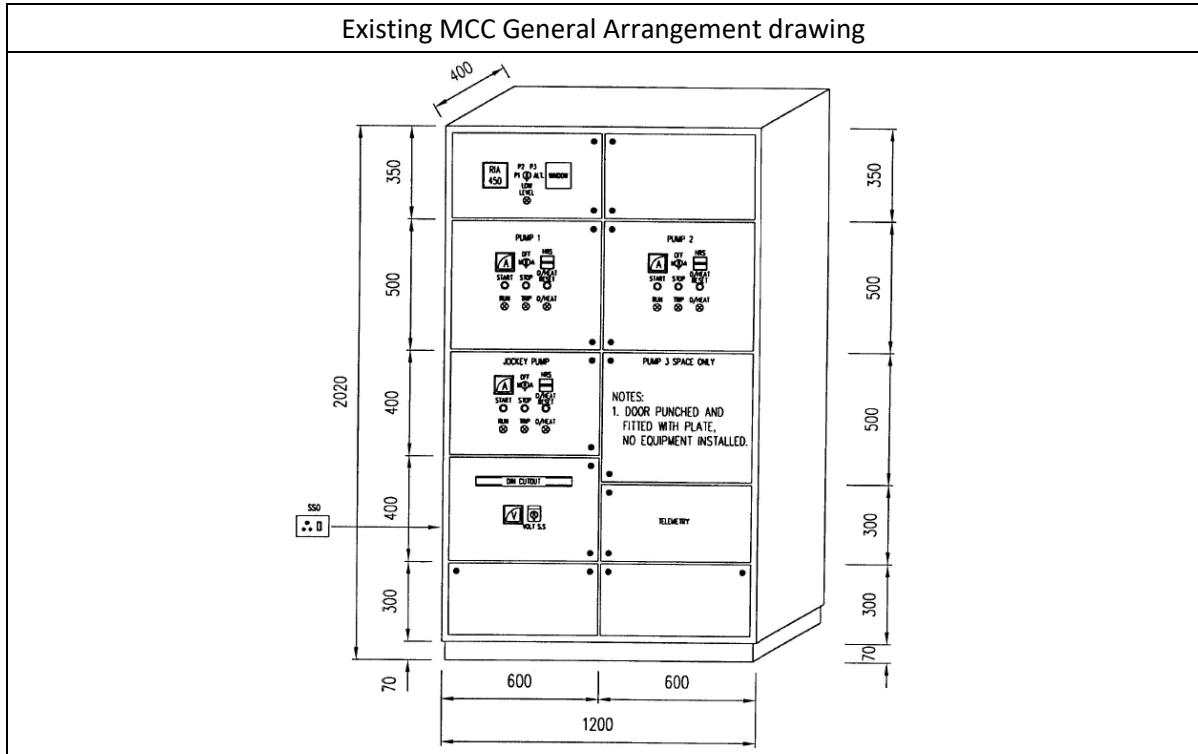


## BERGRIVIER MUNICIPALITY

maintain the pressure setpoint. Similarly for the second duty pump, until the last duty pump that started stops.

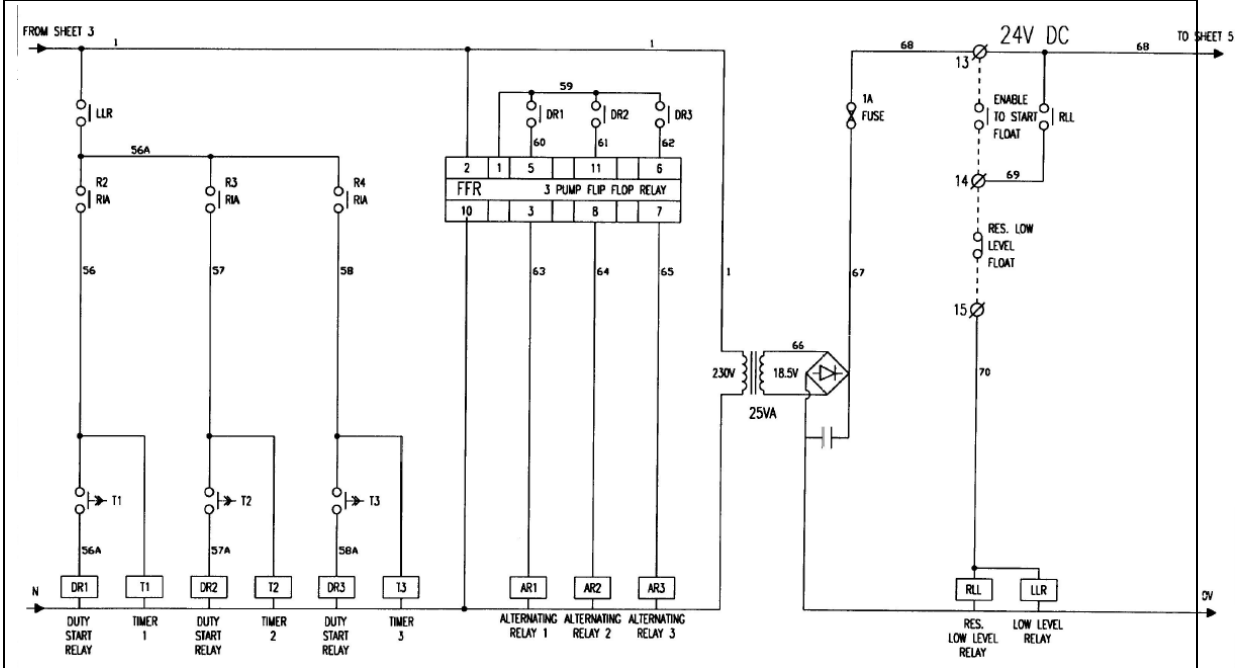
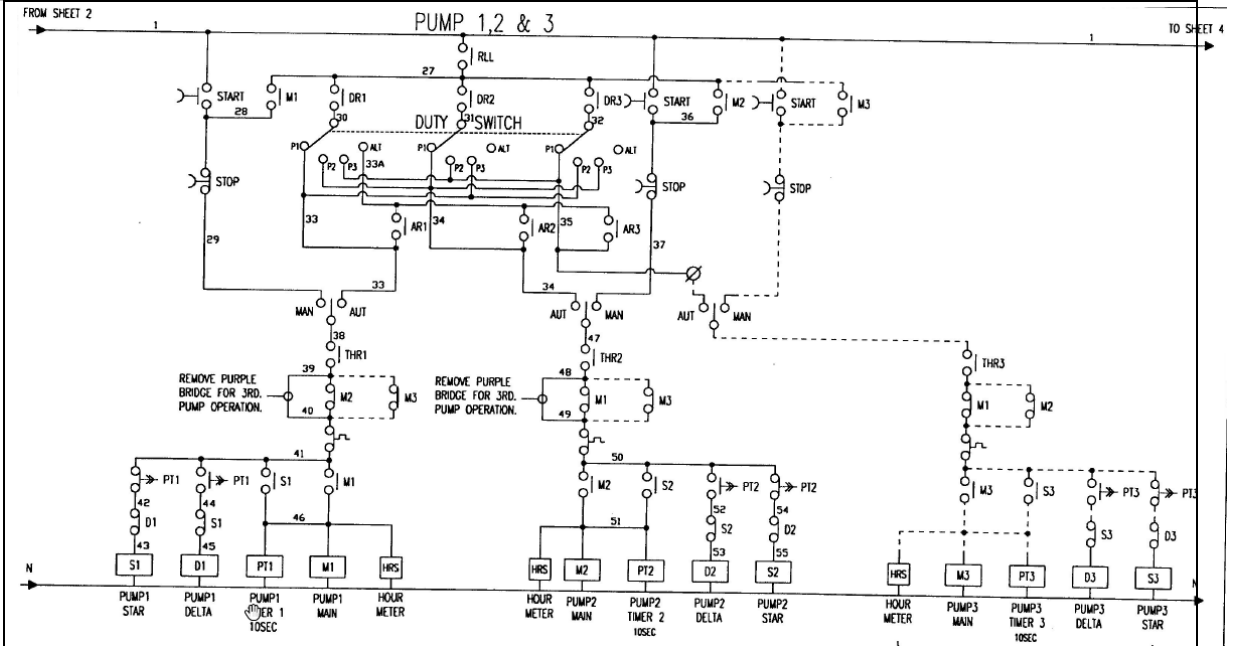
The existing 3-pump duty “flip-flop” and pump fail circuit shall remain.

### 5. INFORMATION INCLUDED





# BERGRIVIER MUNICIPALITY



Pumpstation Photographs



**BERGRIVIER MUNICIPALITY**



<b>FITZ</b> 3-PHASE INDUCTION MOTOR			
TYPE NR 18DM2-2	15 kW/20 HP	ISO9001	
400V/690 V Δ/Y	27.3/15.8 A	DE.BRG 820	
2880 r/min	50Hz	IP55	118 Kg ODE.BRG820
INS. CL F	S1	SER.No. 0401007	
DISTRIBUTED BY FITZ AFRICA			

<b>MOTORELLI</b>		CPT 021 556 4376	CE	SABS APPROVED
INDUSTRIAL MOTORS		JHB 011 822 1276		
3-PHASE INDUCTION MOTOR		DBN 031 700 5145	SANS 1804	
PERMIT NO. 8558/13533				
FRAME 1R16DM2-2PTC	VOLTS 400/690/460	IP 55		
SER. NO. J7 0814	Hz 50/50/60	RATING 81		
kW 15	AMPS 26.4/15.3/23	INSUL. F		
Cos φ 0.91	RPM 2880/2880/3515	CONN. Δ/Y		
Brg DE 8209C3	Brg NDE 8209C3	kg 120		



## BERGRIVIER MUNICIPALITY

### PRICE SCHEDULE

ITEM	DESCRIPTION	UNIT	RATES P/UNIT (INCL. VAT)	AMOUNT (INCL. VAT)
1	3 x 15 kW VSD units	Amount  Per unit		
2	Panel doors, wiring, documentation, pump connection and accessories	Amount  for  All Doors		
3	Labour (All inclusive)	Amount		
4	Travel to Porterville to complete Project	Amount		

### Additional specifications:

- Documentation of the operating manual as well as software if needed must be included in the Tender. **Tender will be deemed incomplete should these documents not be included.**
- A compulsory site meeting will be held on Tuesday, 13 September 2022, at 10H00, at the Municipal Offices in Porterville and from there to Pump Station Site in Monte Bertha.

**References:** Bidders must provide proof of 3 references with similar completed projects.

Name of business	Type of service rendered	Contact person	Tel / Cell Number



## BERGRIVIER MUNICIPALITY

### 15. SCHEDULE OF PLANT AND EQUIPMENT

The following are lists of major items of relevant equipment that I/we **presently** own or lease and will have available for this contract or will acquire or hire for this contract if my / our tender is accepted.

1. DETAILS OF MAJOR EQUIPMENT THAT IS OWNED BY AND IMMEDIATELY AVAILABLE FOR THIS CONTRACT.			
QUANTITY	DESCRIPTION	SIZE	CAPACITY

Attach additional pages if more space is required.

2. DETAIL OF MAJOR EQUIPMENT THAT WILL BE HIRED, OR ACQUIRED FOR THIS CONTRACT IF MY / OUR TENDER IS ACCEPTED.			
QUANTITY	DESCRIPTION,	SIZE	CAPACITY

Attach additional pages if more space is required.

Number of sheets appended by the tenderer to this schedule (If nil, enter <b>NIL</b> )	
--	--



## BERGRIVIER MUNICIPALITY

### 16. SCHEDULE OF SUBCONTRACTORS

I/we the tenderer, notify the Bergrivier Municipality that it is our intention to employ the following Subcontractors for work in this contract:

SUBCONTRACTORS					
Category / Type	Subcontractor Name; Address; Contact Person; Tel. No.			Items of work (pay items) to be undertaken by the Subcontractor	Estimated cost of Work (Rand)
1.	Name of firm				
	Contact person				
	Tel No				
	Address				
2.	Name of firm				
	Contact person				
	Tel No				
	Address				
3.	Name of firm				
	Contact person				
	Tel No				
	Address				
4.	Name of firm				
	Contact person				
	Tel No				
	Address				
5.	Name of firm				
	Contact person				
	Tel No				
	Address				
Number of sheets appended by the tenderer to this schedule ( <i>If nil, enter NIL</i> )					

Acceptance of this tender shall not be construed as approval of all or any of the listed subcontractors. Should any of the subcontractors not be approved subsequent to acceptance of the tender, this shall in no way invalidate this tender, and the tendered unit rates for the various items of work shall remain final and binding, even in the event of a subcontractor not listed above being approved by the Engineer.

SIGNATURE		NAME (PRINT)	
CAPACITY		DATE	
NAME OF FIRM			





**BERGRIVIËR MUNICIPALITY**

**17. SCHEDULE OF WORK EXPERIENCE OF THE TENDERER – CURRENT CONTRACTS**

CURRENT CONTRACTS						
EMPLOYER (Name, Tel, Fax, Email)		Contact Person (Name, Tel, Fax, Email)		NATURE OF WORK	VALUE OF WORK (INCL. VAT)	DATE COMPLETED
Name		Name				
Tel		Tel				
Fax		Fax				
Email		Email				
Name		Name				
Tel		Tel				
Fax		Fax				
Email		Email				
Name		Name				
Tel		Tel				
Fax		Fax				
Email		Email				
Name		Name				
Tel		Tel				
Fax		Fax				
Email		Email				
Name		Name				
Tel		Tel				
Fax		Fax				
Email		Email				
Name		Name				
Tel		Tel				
Fax		Fax				
Email		Email				
Name		Name				
Tel		Tel				
Fax		Fax				
Email		Email				

Attach additional pages if more space is required.

Number of sheets appended by the tenderer to this schedule (If nil, enter NIL)				
SIGNATURE		NAME (PRINT)		
CAPACITY		DATE		
NAME OF FIRM				



**BERGRIVIER MUNICIPALITY**

**18. SCHEDULE OF WORK EXPERIENCE OF THE TENDERER – COMPLETED CONTRACTS**

The following is a statement of similar work successfully executed by myself / ourselves:

COMPLETED CONTRACTS						
EMPLOYER (Name, Tel, Fax, Email)		Contact Person (Name, Tel, Fax, Email)		NATURE OF WORK	VALUE OF WORK (INCL. VAT)	DATE COMPLETED
Name		Name				
Tel		Tel				
Fax		Fax				
Email		Email				
Name		Name				
Tel		Tel				
Fax		Fax				
Email		Email				
Name		Name				
Tel		Tel				
Fax		Fax				
Email		Email				
Name		Name				
Tel		Tel				
Fax		Fax				
Email		Email				
Name		Name				
Tel		Tel				
Fax		Fax				
Email		Email				

Attach additional pages if more space is required.

Number of sheets appended by the tenderer to this schedule (If nil, enter NIL)	
--	--



## BERGRIVIER MUNICIPALITY

### 19. FORM OF OFFER AND ACCEPTANCE

**NOTE:**

1. This form must be completed in duplicate by both the successful bidder (Part 1) and the purchaser (Part 2). Both forms must be signed in the original so that the successful bidder and the purchaser will be in possession of originally signed contracts for their respective records.
2. **NO** correction fluid/tape may be used.
  - a. In the event of a mistake having been made, it shall be crossed out in ink and be accompanied by an initial at each and every alteration.
3. The Bidder **MUST** indicate whether he/she/the entity is a registered VAT Vendor or not.
  - a. In the case of the Bidder not being a registered VAT Vendor, both columns (amount/rate excluding AND including VAT) must reflect the same amount.

	INDICATE WITH AN 'X'							
	YES				NO			
Are you/is the firm a registered VAT Vendor								
If "YES", please provide VAT number								

**1. OFFER**

- 1.1. The Employer, identified in the Acceptance signature block, has solicited offers to enter into a contract in respect of the following works: **TENDER 8/3/25-2022 MN186/2022**
- 1.2. The tenderer, identified in the Offer signature block, has examined the draft contract as listed in the Acceptance section and agreed to provide this Offer.
- 1.3. By the representative of the Tenderer, deemed to be duly authorized, signing this part of this Form of Offer and Acceptance, the Tenderer offers to perform all of the obligations and liabilities of the **Employer** under the contract, including compliance with all its terms and conditions according to their true intent and meaning for an amount to be determined in accordance with the conditions of contract identified in the Contract Data.

THE OFFERED TOTAL OF THE PRICES/RATES INCLUSIVE OF VAT IS:	
<b>In figures:</b>	<b>R</b>
<b>In words:</b>	

- 1.4. This Offer may be accepted by the Employer by signing the Acceptance part of this Form of Offer and Acceptance and returning one copy of this document to the Tenderer before the end of the period of validity stated in the Tender Data, whereupon the Tenderer becomes the party named as the **Contractor** in the conditions of contract identified in the Contract Data.

Signature(s)			
Name(s)			
Capacity			
Name of tenderer:			
Name of witness:	<i>(Insert name and address of organization)</i>	Date	
Signature of witness:			



## BERGRIVIER MUNICIPALITY

### 2. ACCEPTANCE

- 2.1. By signing this part of this Form of Offer and Acceptance, the Employer identified below accepts the tenderer's Offer. In consideration thereof, the Employer shall pay the Contractor the amount due in accordance with the conditions of contract identified in the Contract Data. Acceptance of the tenderer's Offer shall form an agreement between the Employer and the tenderer upon the terms and conditions contained in this agreement and in the contract that is the subject of this agreement.
- 2.2. Deviations from and amendments to the documents listed in the Tender Data and any addenda thereto listed in the Returnable Schedules as well as any changes to the terms of the Offer agreed by the tenderer and the Employer during this process of offer and acceptance, are contained in the Schedule of Deviations attached to and forming part of this Form of Offer and Acceptance. No amendments to or deviations from said documents are valid unless contained in this Schedule.
- 2.3. It is expressly agreed that no other matter whether in writing, oral communication or implied during the period between the issue of the tender documents and the receipt by the tenderer of a completed signed copy of this Agreement shall have any meaning or effect in the contract between the parties arising from this agreement.

Signature(s):		
Name(s):		
Capacity:		
<b>For the Employer:</b>	<b>Bergrivier Municipality, Kerk Street, Piketberg, 7320</b>	
Name of witness:		Date:
Signature of witness:		



## BERGRIVIER MUNICIPALITY

### 20. PRICING SCHEDULE

- NOTE:**
1. Only firm prices will be accepted. Non-firm prices will not be considered.
  2. All delivery costs **MUST** be included in the bid price, for delivery at the prescribed destination.
  3. Document **MUST** be completed in non-erasable black ink.
  4. **NO** correction fluid/tape may be used.
    - a. In the event of a mistake having been made, it shall be crossed out in ink and be accompanied by an initial at each and every alteration.
  5. The Bidder **MUST** indicate whether he/she/the entity is a registered VAT Vendor or not.
    - a. In the case of the Bidder not being a registered VAT Vendor, both columns (amount/rate excluding AND including VAT) must reflect the same amount.

I / We \_\_\_\_\_  
 (full name of Bidder) the undersigned in my capacity as \_\_\_\_\_  
 of the firm \_\_\_\_\_

hereby offer to BERGRIVIER Municipality to render the services as described, in accordance with the specification and conditions of contract to the entire satisfaction of the BERGRIVIER Municipality and subject to the conditions of tender, for the amounts indicated hereunder:

	INDICATE WITH AN 'X'							
Are you/is the firm a registered VAT Vendor	YES				NO			
If "YES", please provide VAT number								

**Please note the following:**

1. BERGRIVIER Municipality reserves the right to downward adjust the scope of work/ quantity required to stay within its budget.
2. Only firm prices will be accepted and non-firm prices will not be considered.



**BERGRIVIER MUNICIPALITY**

**21. DECLARATION BY TENDERER**

I / We acknowledge that I / we am / are fully acquainted with the contents of the conditions of tender of this tender document and that I / we accept the conditions in all respects.

I / We agree that the laws of the Republic of South Africa shall be applicable to the contract resulting from the acceptance of \*my / our tender and that I / we elect *domicillium citandi et executandi* (physical address at which legal proceedings may be instituted) in the Republic at:

\_\_\_\_\_

\_\_\_\_\_

\_\_\_\_\_

I / We accept full responsibility for the proper execution and fulfillment of all obligations and conditions devolving in me / us under this agreement as the principal liable for the due fulfillment of this contract.

I / We furthermore confirm I / we satisfied myself / ourselves as to the corrections and validity of my / our tender; that the price quoted cover all the work / items specified in the tender documents and that the price(s) cover all my / our obligations under a resulting contract and that I / we accept that any mistake(s) regarding price and calculations will be at my / our risk.

I / We furthermore confirm that my / our offer remains binding upon me / us and open for acceptance by the Purchases / Employer during the validity period indicated and calculated from the closing date of the bid.

SIGNATURE		NAME (PRINT)	
CAPACITY		DATE	
NAME OF FIRM			
WITNESS 1		WITNESS 2	



**BERGRIVIER MUNICIPALITY**  
**SMME STATUS**

98 No. 41970

GOVERNMENT GAZETTE, 12 OCTOBER 2018

**SCHEDULE**

*The new National Small Enterprise Act thresholds for defining enterprise size classes by sector, using two proxies*

Column 1	Column 2	Column 3	Column 4
Sectors or sub-sectors in accordance with the Standard Industrial Classification	Size or class of enterprise	Total full-time equivalent of paid employees	Total annual turnover
Agriculture	Medium	250	35.0 million
	Small	50	17.0 million
	Micro	10	7.0 million
Mining and Quarrying	Medium	250	210.0 million
	Small	50	50.0 million
	Micro	10	15.0 million
Manufacturing	Medium	250	170.0 million
	Small	50	50.0 million
	Micro	10	10.0 million
Electricity, Gas and Water	Medium	250	180.0 million
	Small	50	60.0 million
	Micro	10	10.0 million
Construction	Medium	250	170.0 million
	Small	50	75.0 million
	Micro	10	10.0 million
Retail, motor trade and repair services	Medium	250	80.0 million
	Small	50	25.0 million
	Micro	10	7.5 million
Wholesale	Medium	250	220.0 million
	Small	50	80.0 million
	Micro	10	20.0 million
Catering, Accommodation and other Trade	Medium	250	40.0 million
	Small	50	15.0 million
	Micro	10	5.0 million
Transport, Storage and Communications	Medium	250	140.0 million
	Small	50	45.0 million
	Micro	10	7.5 million
Finance and Business Services	Medium	250	85.0 million
	Small	50	35.0 million
	Micro	10	7.5 million
Community, Social and Personal Services	Medium	250	70.0 million
	Small	50	22.0 million
	Micro	10	5.0 million

  
 .....  
**Lindiwe D Zulu, MP**  
**Minister of Small Business Development**  
**Date: 28/09/2018**

Initial 